

ROLLER FLAKING MILL API 2 "L"



Flattening and flaking :

Grain : maize, barley, oat, wheat, triticale, ...

Protein grains: peas, fava beans, rapeseed, lupine and linen seed

TECHNICAL PROS

The **synchronous drive system**, combined with mechanical clamping from springless rollers, flattens grains instantly, without any adjustment and in a perfect **homogeneity** with minimum residual flour.

SPECIFICS

FRAMEWORK	frame and legs of steel profiles detachable legs with anti-vibration supports
GRAIN HOPPER	capacity 100 liters with magnetic protection and flow control flap
ROLLERS	<ul style="list-style-type: none">• 2 rouleaux montés sur paliers auto-aligneurs et roulements à billes• en fonte alliée nickel-chrome, rainurés hélicoïdalement avec racleurs• Ø400 – largeur 150 mm• démontage rapide avec moyeux expansibles• serrage par vis de pression avec contre écrou de blocage
ROTATION SPEED	240 rpm
DRIVE SYSTEM	By pulleys and trapezoidal belts. 2 nd roller drive by chain
MOTOR	7.5 kW (10 cv)
ACCESSORIES	Contact breaker , ammeter Side maintenance flap to bearings and chain
WEIGHT	400 kg
OPTIONS	Bucket loading hopper Electronic level sensor for automatic shut-off in lack of grain, with timer Conveyor belt
NOISE LEVEL	Equipment noise level may slightly exceed 80 dB(A)

FINAL PRODUCT

MAIZE



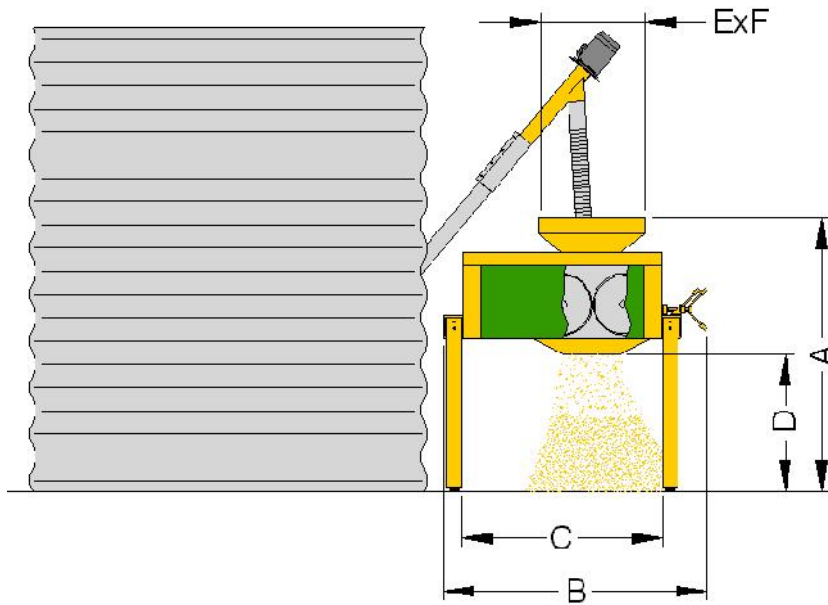
WHEAT



LUPINE SEED



DIMENSIONS



DIMENSIONS mm	A	1760
	B	1815
	C	1350
	D	880
	E	700
	F	700

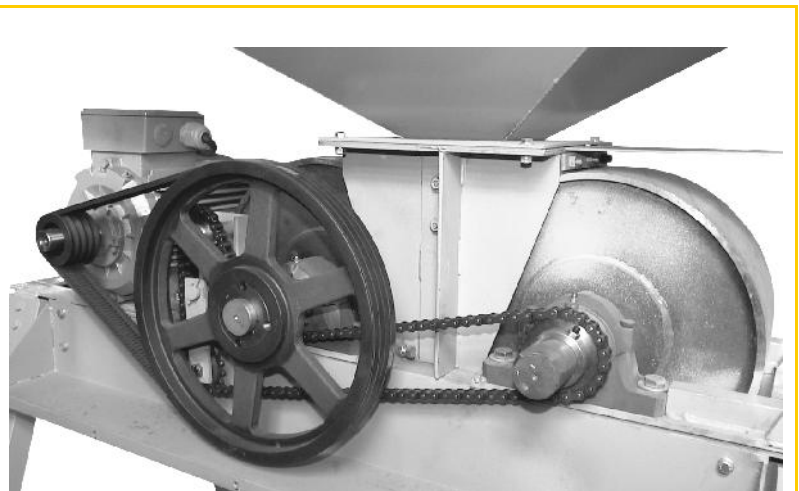
OUTPUT YIELD

	kg/h
BARLEYCORN	1200 à 1500
MAIZE	1000 à 1200
INERT WET MAIZE (26 %)	1600 à 2200
WHEAT	1500 à 2000
PEAS	800 à 1000

Depending on the degree of flattening and the moisture content of the product

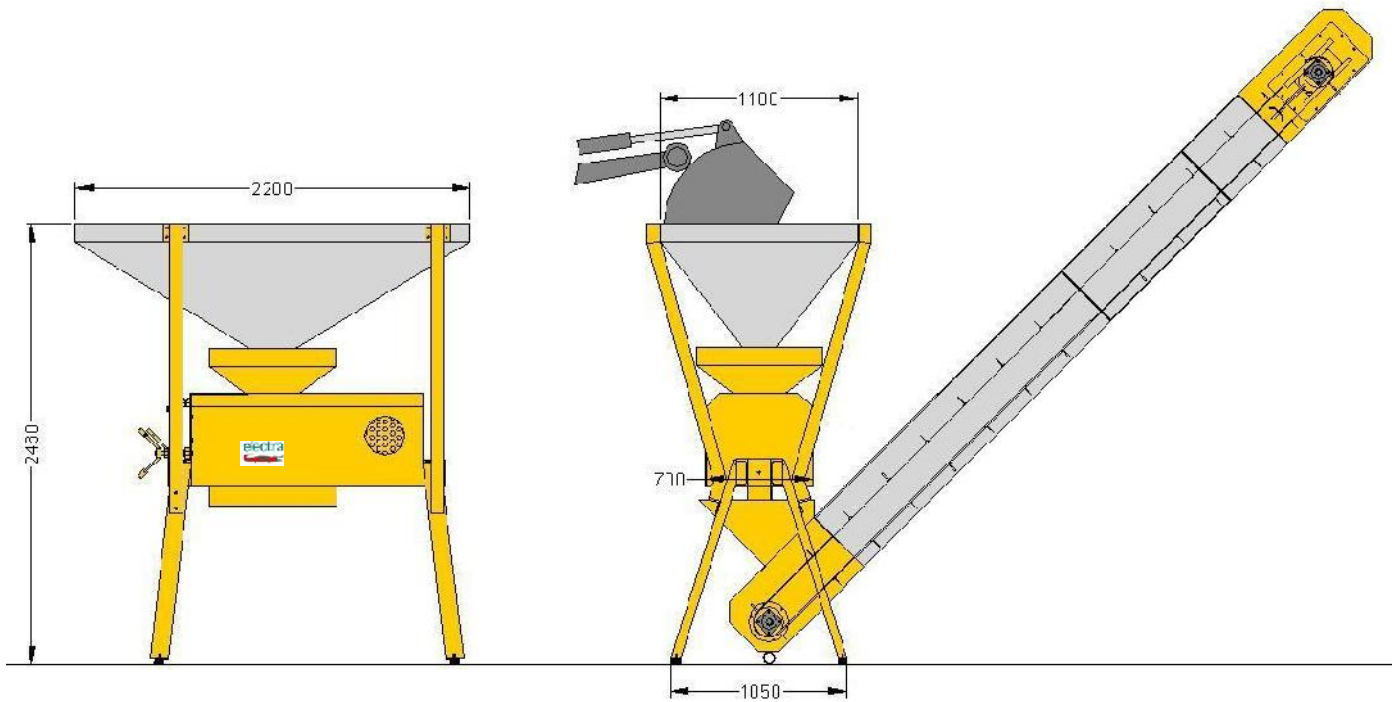


Welded grooved Nickel-Chromium/Cast iron rollers



SYNCRONOUS DRIVE SYSTEM

EXAMPLES OF USE



**WITH BUCKET LOADING HOPPER "SGGOD" CAPACITY : 800 L
AND BELT CONVEYOR LgT : 4m**



**COMBINED WITH HORIZONTAL MIXER
"AMH" TYPE**

Technical details are subject to change without notification



47170 POUDENAS - FRANCE

Tél. : 05 53 65 73 55

Fax : 05 53 97 33 05

elevage@electra.fr / www.electra.fr

contact skype : [electra47170](https://www.skype.com/contact)