

GRINDING MILL BC - BC "S"



Mills any cereal by suction and discharge

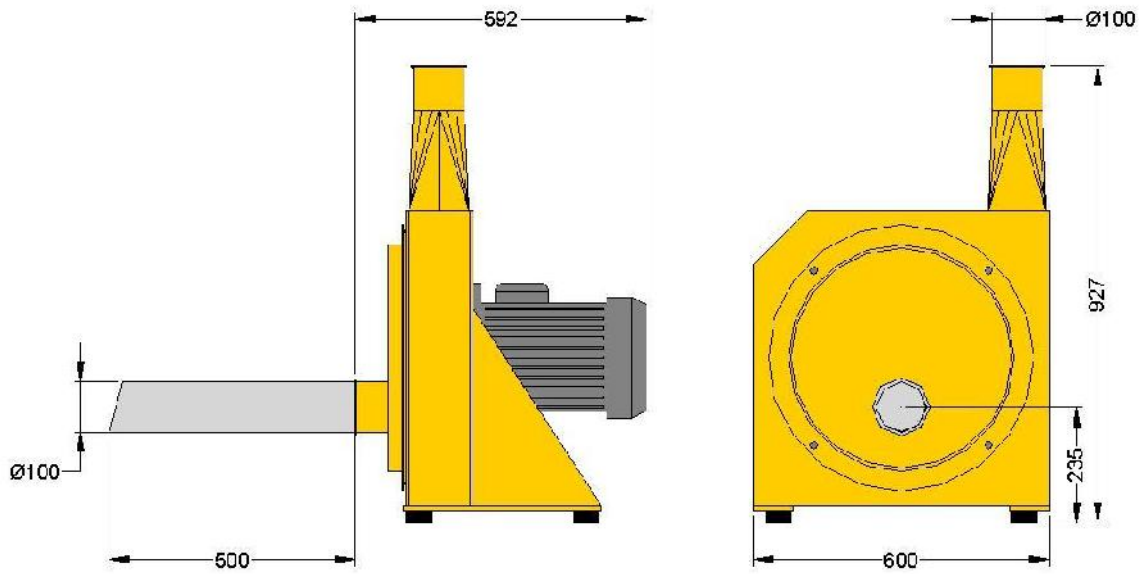
SPECIFICATIONS

	BC	BC "S"
CONSTRUCTION	weld-fabricated steel (interchangeable wear plates)	
WEIGHT	135 kg (7.5 kW), 190 kg (15 kW)	385 kg
FEED	by suction Ø100 mm	by suction Ø150 mm
SPEED OF ROTATION	3000 rpm	
MOTORISATION	7.5 kW (10 HP) and 15 kW (20 HP)	22kW (30 HP)
DRIVE	electric motor	
SUCTION	by pipe Ø100 length 500 mm and quick-fit collar	by pipe Ø125 length 500 mm and quick-fit collar
DISCHARGE	fan: 4 blades, 7.5 kW 8 blades, 15 kW pipes (not supplied) Ø100 mm galvanised for 7.5 kW Ø150 mm galvanised for 15 kW	8-blade fan pipes (not supplied) Ø150 mm galvanised
GRIDS	circular Ø 2.5 to 20 mm	
	Width 104 mm	Width 173 mm
HAMMERS	8 moving, thickness 8 mm	24 moving, thickness 8 mm
EQUIPMENT	anti-vibration mounts	
OPTIONS	<ul style="list-style-type: none"> • suction bucket with flow regulation flap and magnetic shielding • cyclone separator for bagging with air bag and butterfly bagging-off valve • removable galvanised silo: SG2 800 litres, SG3 1700 litres or SG4 2600 litres • plastic electrical unit comprising: isolating switch, manual y-delta starter thermal cutout, flow rate checking ammeter 	

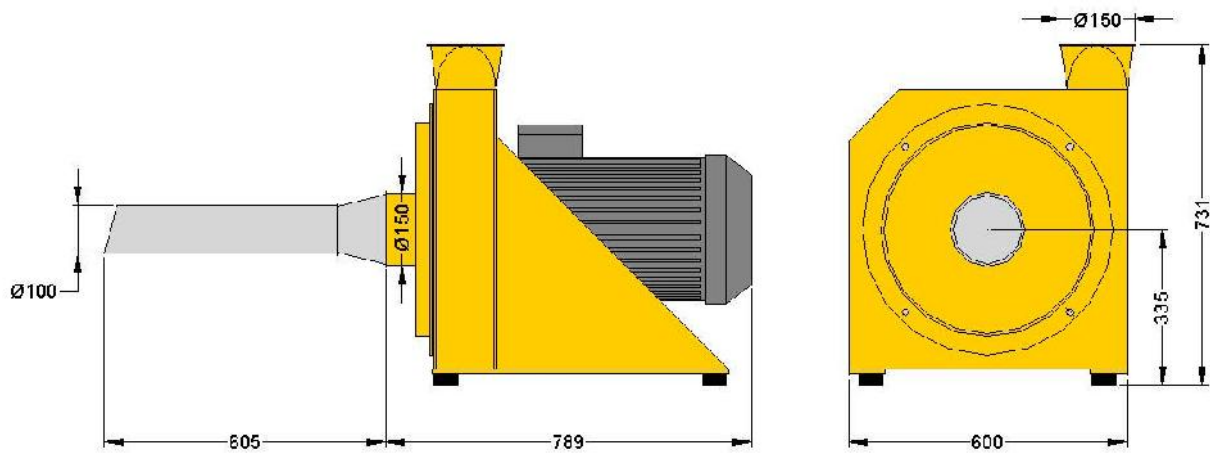
PERFORMANCE

BC	BC "S"
0.8 to 2 tonnes/h	2 to 6 tonnes/h
depending on the products and grids used	

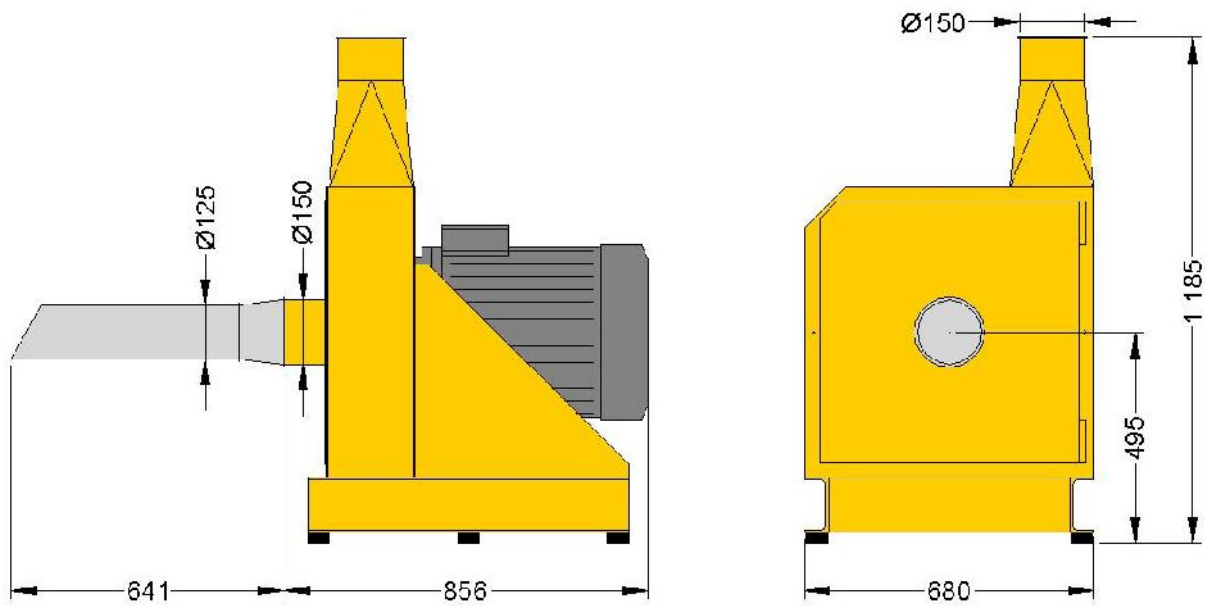
OVERALL DIMENSIONS



GRINDING MILL BC 10 HP (7.5 kW)

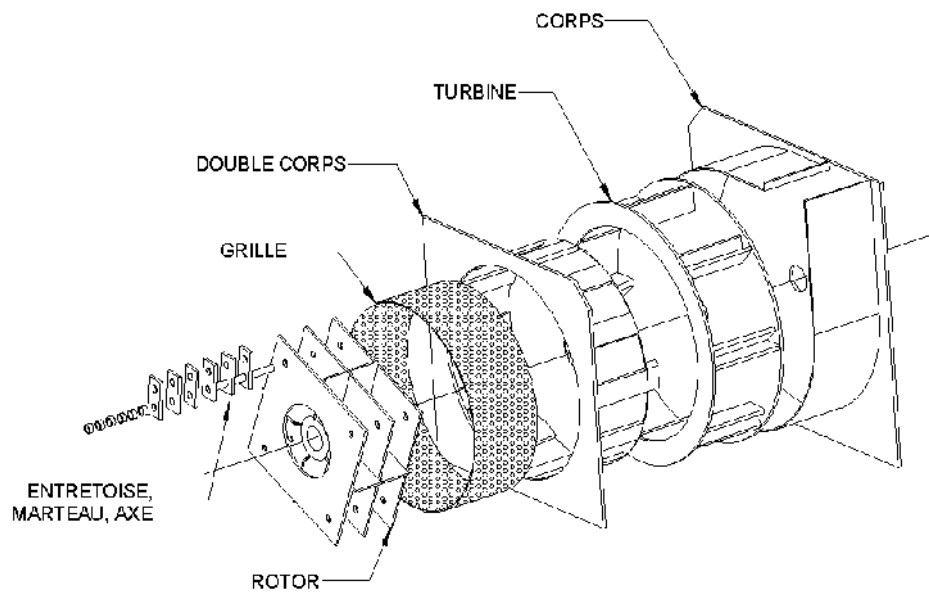


GRINDING MILL BC 20 HP (15 kW)



GRINDING MILL BC "S" 30 HP (22 kW)

EXPLODED VIEW OF THE GRINDING CAGE



EXAMPLES OF USE



HORIZONTAL GRINDING MILL MIXER BMH 1000

The technical specifications may be subject to change without notice



47170 POUDENAS - FRANCE

Tel.: +33 (0)5 53 65 73 55

Fax: +33 (0)5 53 97 33 05

elevage@electra.fr / www.electra.fr