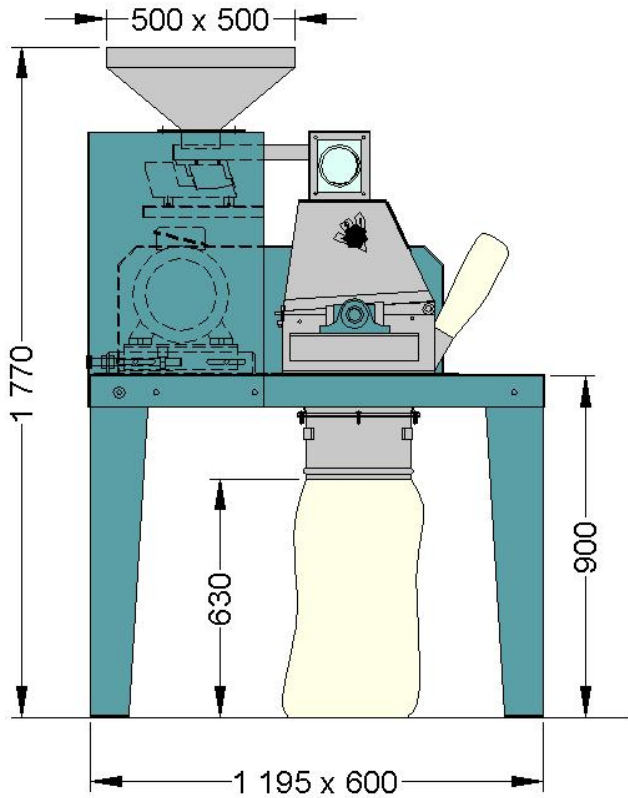


GRINDING MILL F3

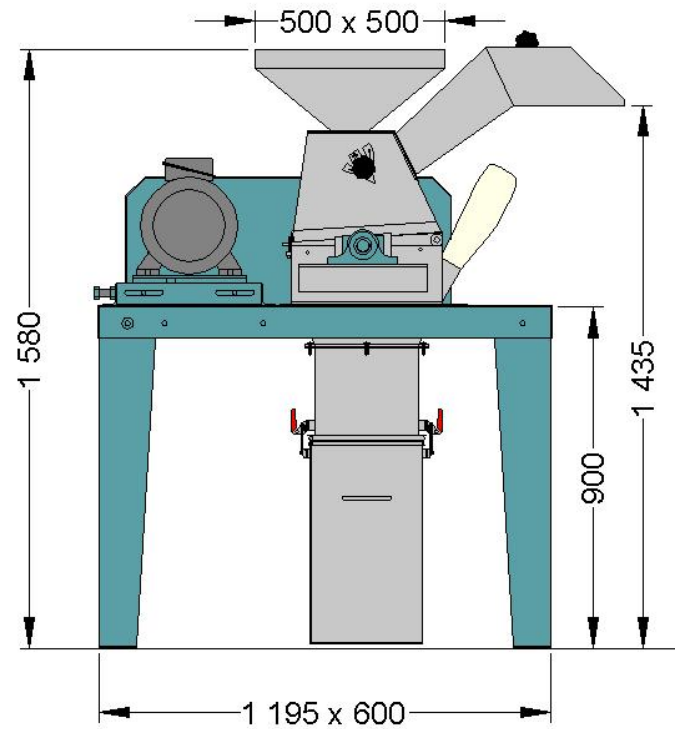


GRINDING MILL WITH MOVING HAMMERS
For crushing or fine grinding

OVERALL DIMENSIONS



F3 with vibrating dispenser



F3 with feed hopper

LIST OF PRODUCTS PROCESSED

- Coffee, sugar, salt, pepper, spices, peppers, dry seaweeds, dehydrated mushrooms.
 - Cereals, flour in lumps, cake waste, dry bread, chestnuts, soya.
 - Seaweeds, fresh vegetables, coconut, potato, apple pips.
- Roots, ginger, cassava, medicinal and aromatic plants, vanilla, bark
 - Sulphates, pyrotechnical products, mineral salts.
 - Cremation ashes,



View of rotor.

SPECIFICATIONS

CONSTRUCTION	Weld-fabricated steel. E24 painted, 304L or 316L stainless steel
WEIGHT	150 kg
FEED	Hopper with flow regulator for granular products
ROTOR	On self-aligning bearings, 16 moving hammers
SPEED OF ROTATION	Standard 3000 rpm. (1500 to 6000 rpm possible)
TRANSMISSION	Via toothed V-belts and sheaves under housing
MOTORISATION	Three-phase electric motor 3 kW (4 HP) or 5.5 kW (7.5 HP)
PRODUCT OUTLET	Bagger with quick bag attachment
GRIDS	Semi-circular Ø 0.8 to 20 mm, E24 or stainless steel
PERFORMANCE	From 100 to 800 kg/h depending on the grain size and the products
EQUIPMENT	<ul style="list-style-type: none"> fail-safe on opening the hatch 4 removable feet with anti-vibration mounts air decompression sleeve air inlet for dust removal Ø 2"
SOUND LEVEL	These devices may significantly exceed 80 dB(A)

OPTIONS

MOTORISATION	Single-phase electric motor 2.2 kW
FEED	<ul style="list-style-type: none"> Chute with tilting flap for bulky products Vibrating dispenser with magnetic shielding
PRODUCT OUTLET	Sealed recovery bucket, capacity 50 litres.
ELECTRICAL EQUIPMENT	<ul style="list-style-type: none"> Electrical control panel with y-delta starter, trip switch and ammeter Add-on for frequency converter for speed variation
EQUIPMENT	<ul style="list-style-type: none"> 4 rubber rollers to replace the anti-vibration mounts to enable the machine to be moved



Vibrating dispenser



Electrical control panel with speed controller

INSTALLATION EXAMPLES



Grinding mill with recovery bucket



Grinding mill with vibrating dispenser, magnetic shielding and manual bagger



304L stainless steel grinding mill with chute for bulky products



All-316L stainless steel grinding mill on rollers



47170 POUDENAS - FRANCE

Tel.: +33 (0)5 53 65 73 55

Fax: +33 (0)5 53 97 33 05

e-mail: industrie@electra.fr

Internet: www.electra.fr