



GRINDING MILL BC - BC "S"



Mobile hammer mills for the fine grinding of coarse materials

WITH INTEGRATED PNEUMATIC TRANSFER SYSTEM

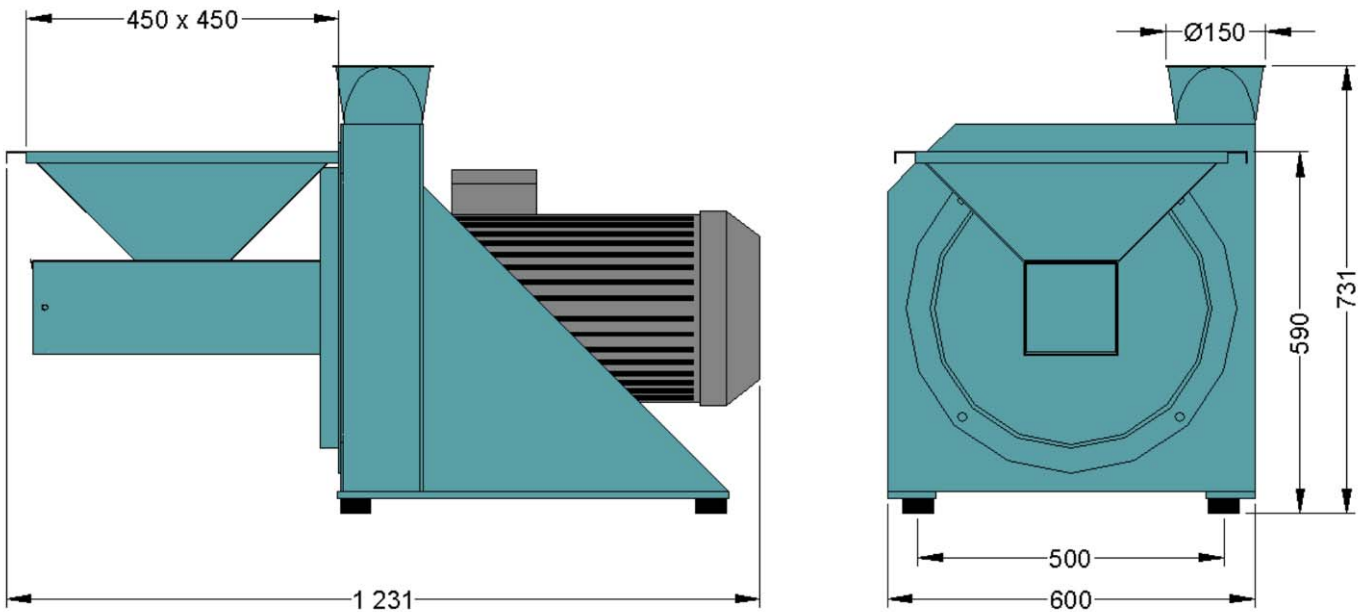
SPECIFICATIONS

	BC	BC "S"
CONSTRUCTION	weld-fabricated steel (interchangeable wear plates)	
WEIGHT	190 kg (15 kW)	385 kg
FEED	4-slope hopper with air regulation flap fail safe on opening	
SPEED OF ROTATION	3000 rpm	
MOTORISATION	15 kW (20 HP)	22kW (30 HP)
DRIVE	electric motor	
DISCHARGE	8-blade fan pipework (not supplied) Ø150 mm galvanised	
GRIDS	circular Ø 2.5 to 20 mm	
	Width 104 mm	Width 173 mm
HAMMERS	16 moving, thickness 8 mm	24 moving, thickness 8 mm
EQUIPMENT	anti-vibration mounts	
OPTIONS	<ul style="list-style-type: none"> metal electrical cabinet comprising: lockable isolating switch, automatic y-delta starter thermal cutout, flow rate checking ammeter plastic electrical unit comprising: isolating switch, manual y-delta starter thermal cutout, flow rate checking ammeter magnetic shielding 	
SOUND LEVEL	These devices may significantly exceed 80 dB(A)	

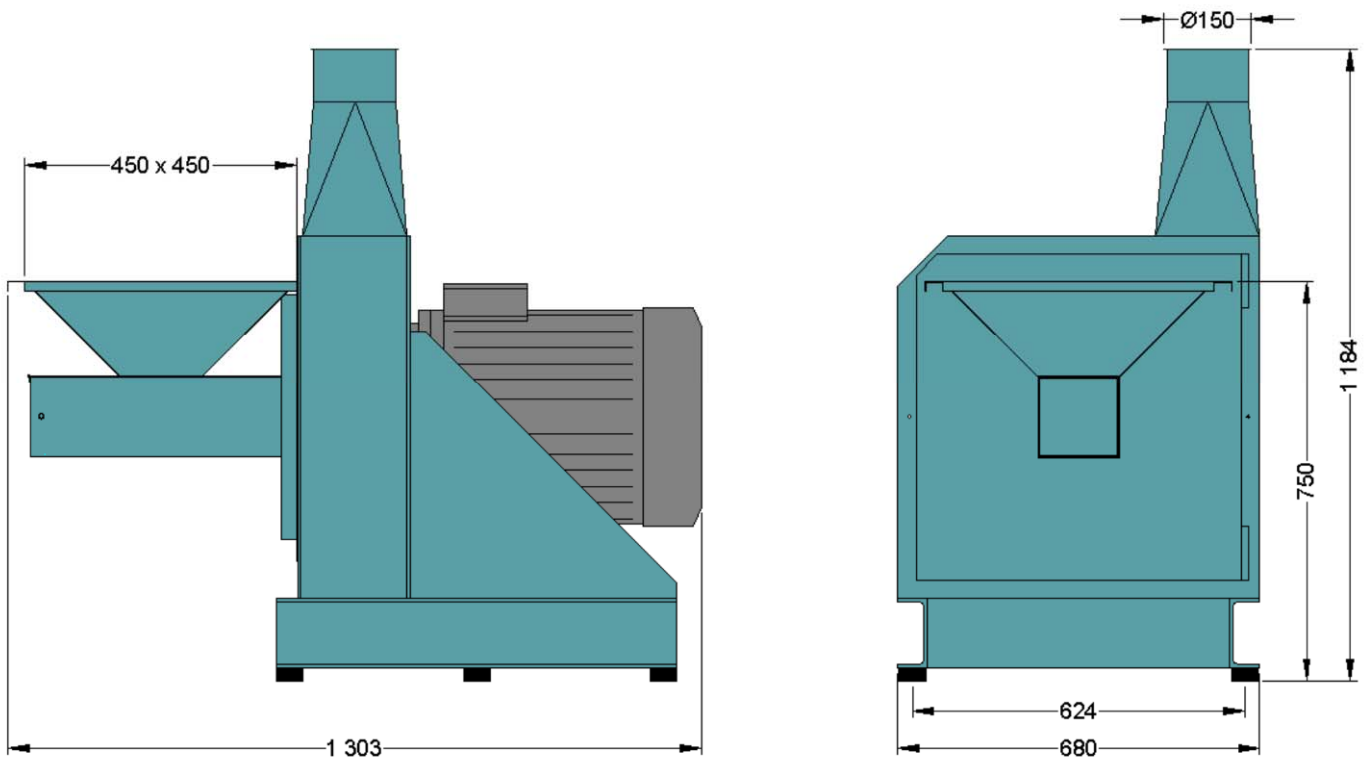
PERFORMANCE

BC	BC "S"
0.5 to 2 tonnes/h	1 to 4 tonnes/h
depending on the products and grids used	

OVERALL DIMENSIONS

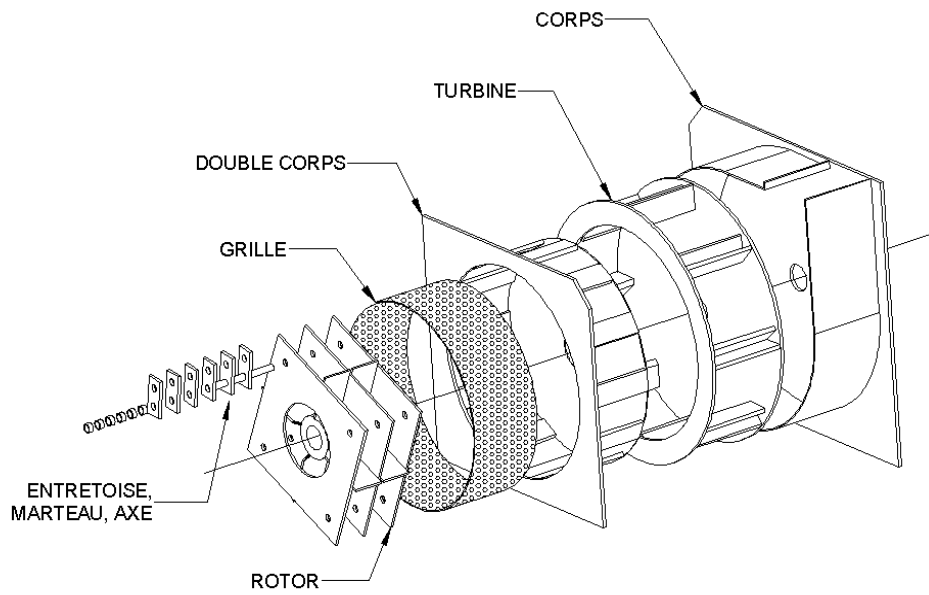


GRINDING MILL BC 20 HP (15 Kw)

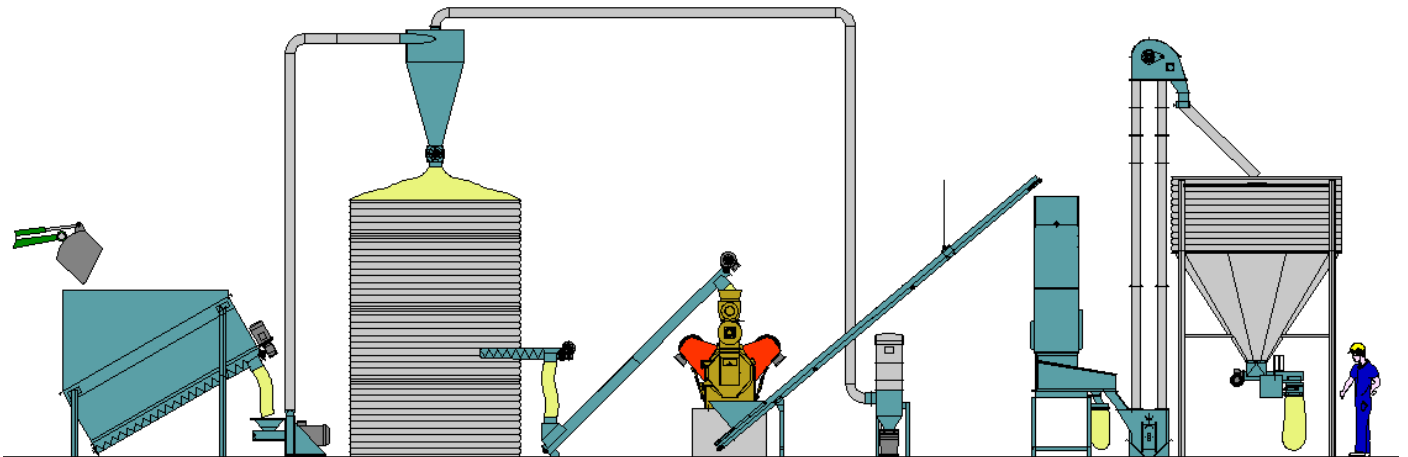


GRINDING MILL BC "S" 30 HP (22 Kw)

EXPLODED VIEW OF THE GRINDING CAGE



EXAMPLES OF USE



The technical specifications may be subject to change without notice



47170 POUDENAS - FRANCE

Tel.: +33 (0)5 53 65 73 55

Fax: +33 (0)5 53 97 33 05

electra@electra.fr / www.electra.fr