



SHREDDER-GRINDER GLOUTON



For the grinding and refining of vegetable wastes

For shredding boughs and branches

SPECIFICATIONS

CONSTRUCTION	Body in weld-fabricated metal sheet Frame on wheels with lifting rail
EQUIPMENT	Loading hopper with discharge-prevention flap Orientable deflector flap Shredder with chute (for branches up to 5 cm dia.)
ROTOR	Rotor with 24 hammers mounted on self-aligning bearings bar comb
SPEED OF ROTATION	From 1500 to 3000 rpm
TRANSMISSION	V-profile sheaves under housing
POWER CONSUMPTION	12 HP petrol engine with electric starting
OPTION	Perforated grid Ø30 mm and 50 mm
SOUND LEVEL	This equipment may significantly exceed 80 dB(A)

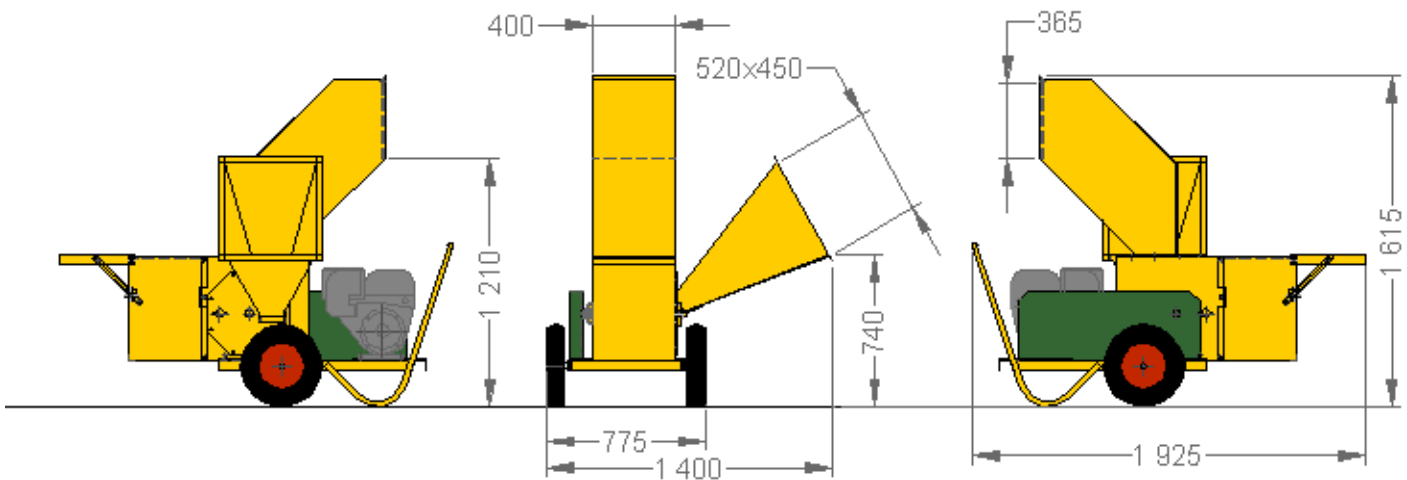
GROUND PRODUCTS

- Plants, bark, loam, compost, leaves, etc.
- Branches, leaves (with shredder), etc.

from 3 to 6 M³/hour

Reduces the volume by a factor of 20, enables compost to be refined into loam

OVERALL DIMENSIONS



The technical specifications may be subject to change without notice



47170 POUDENAS - FRANCE

Tel.: +33 (0)5 53 65 73 55

Fax: +33 (0)5 53 97 33 05

e-mail: elevage@electra.fr

Internet: www.electra.fr