

FORAGE HARVESTER GRINDING MILL BC"S"

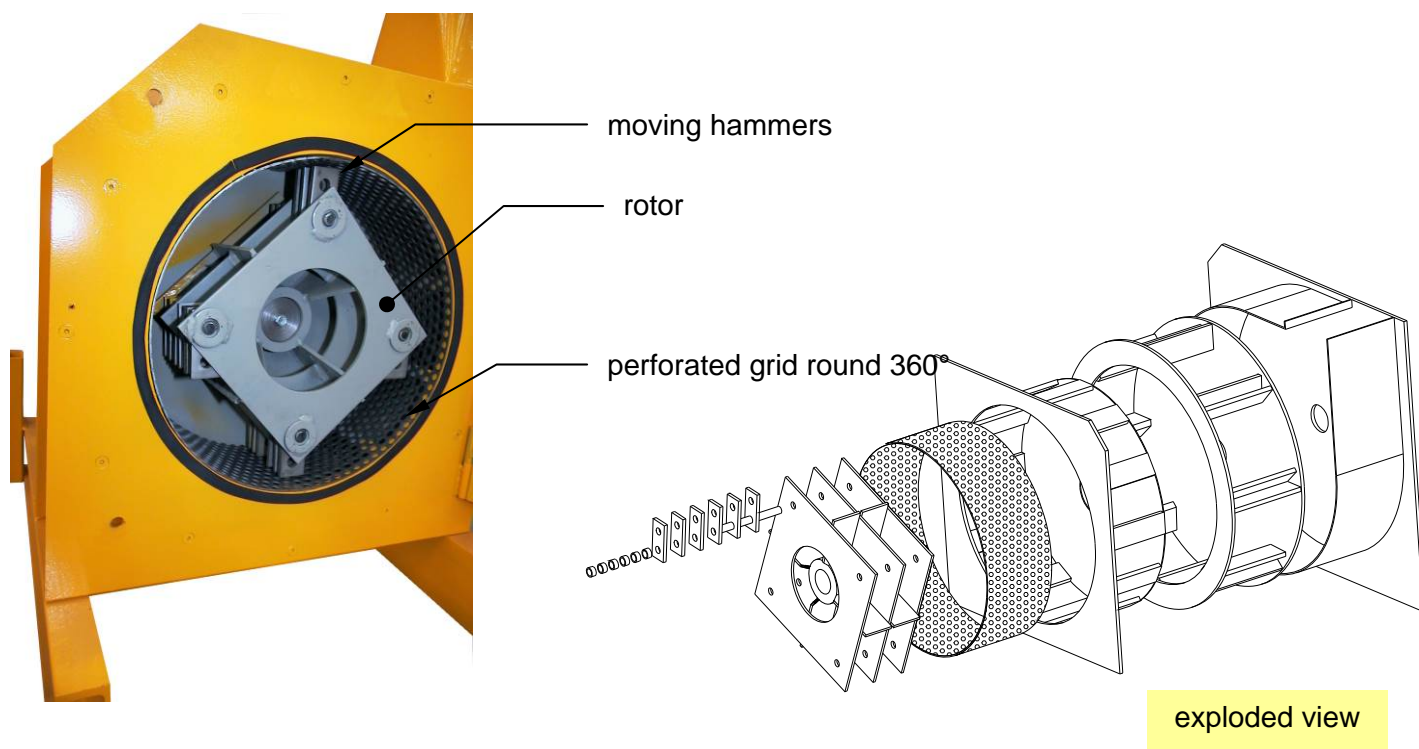


For milling:

Damp maize grains or stalks, damp corn and other cereals.

SPECIFICATIONS

DIMENSIONS IN mm	LxWxH: 1210x900x1300
CONSTRUCTION	weld-fabricated steel
WEIGHT	280 kg
FEED	hopper with air regulation flap
SPEED OF ROTATION	3000 rpm
POWER CONSUMPTION	70 to 120 HP
DRIVE	PTO from a tractor running at 1000 rpm using step-up gear in oil bath
DISCHARGE	length 15 m maximum, height 20 m maximum 8-blade fan pipework Ø150 mm in galvanised steel large radius steel elbow
GRIDS	circular perforations Ø10 mm for grains at 30% humidity, Ø12 mm for grains at 35% humidity, Ø15 mm for grains at 40% humidity,
HAMMERS	24 moving, thickness 8 mm
OPTIONS	<ul style="list-style-type: none"> • universal joint with friction torque limiter, • cyclone separator, • feed auger with 2 quintal-hopper, • deflector spout with collar for spilling on the ground at the end of the pipe
SOUND LEVEL	This equipment may significantly exceed 80 dB(A)



PERFORMANCE

damp maize grains: 10 to 14 tonnes/h (120 kg/HP/h)

dry maize grains: 5 to 7 tonnes/h

ACCESSORIES

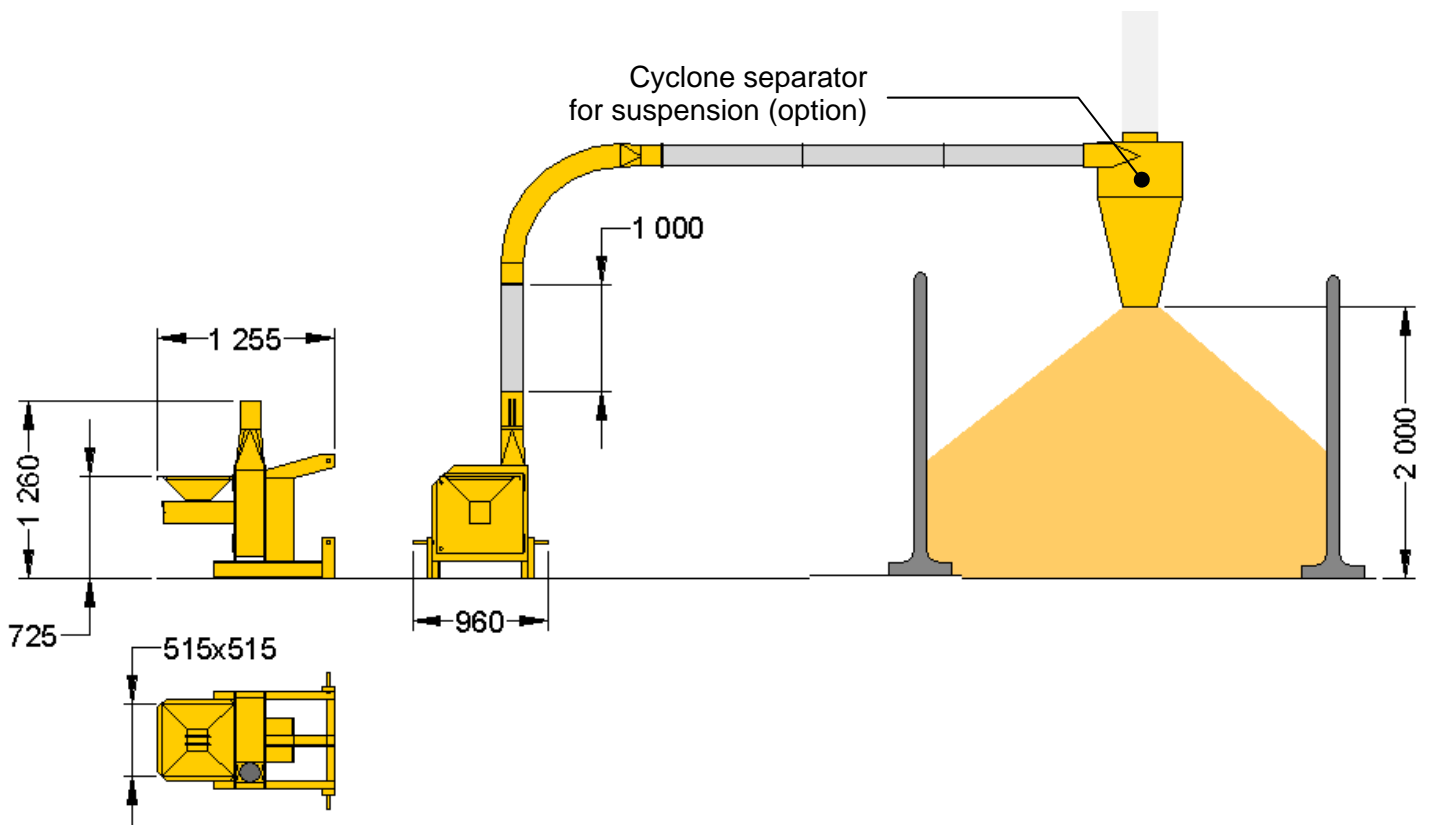


elbow 2.3 dia. with deflector spout

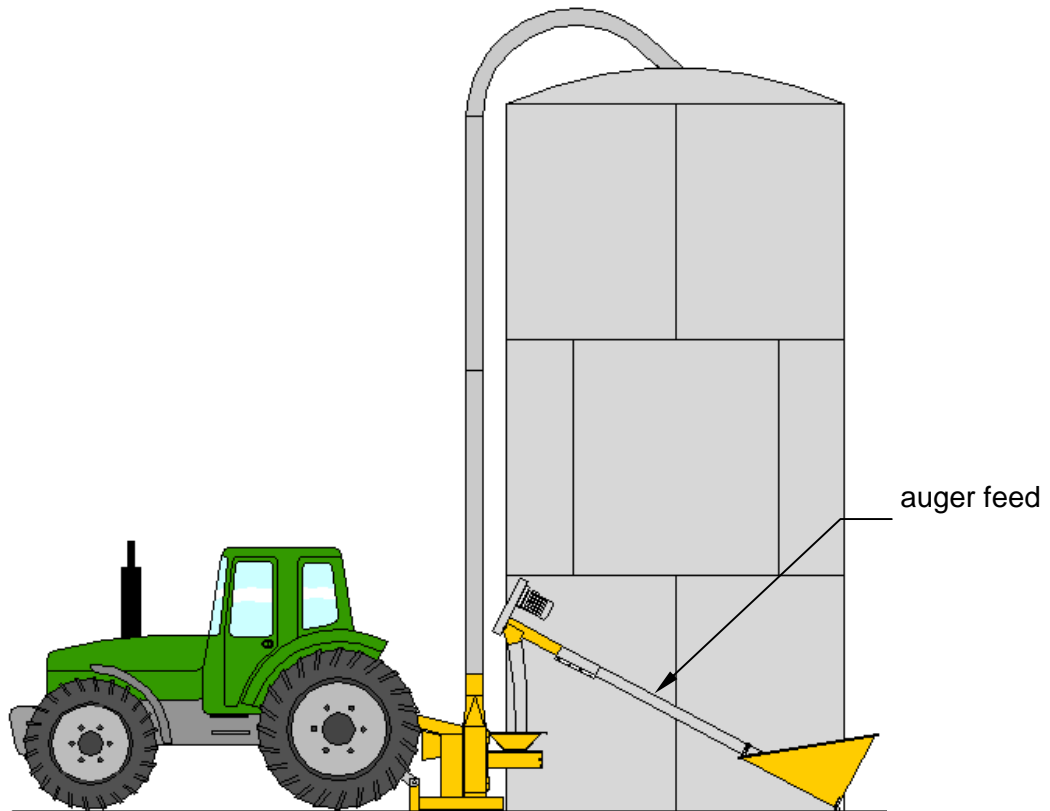


cyclone separator

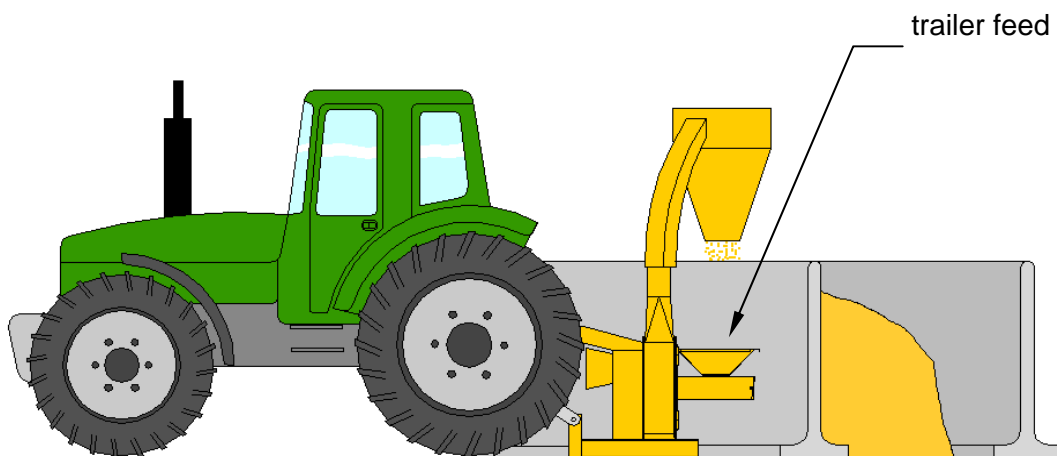
DIMENSIONS



EXAMPLES OF USE



filling tower silo



filling bunker silo

The technical specifications may be subject to change without notice



47170 POUDENAS - FRANCE

Tel.: +33 (0)5 53 65 73 55

Fax: +33 (0)5 53 97 33 05

e-mail: elevage@electra.fr

Internet: www.electra.fr