



HORIZONTAL GRINDING MILL MIXER BMH 1000 AND 3000



FOR THE PRODUCTION OF FEEDSTUFFS
IN BATCHES OF 500 or 1000 kg

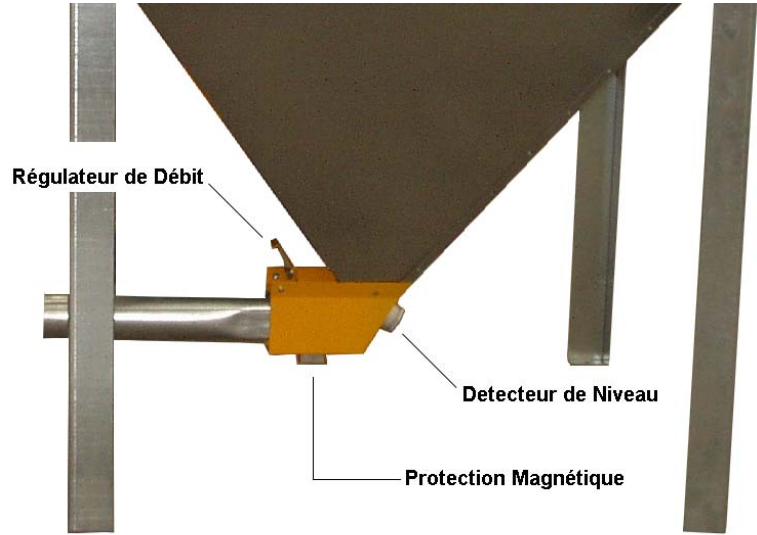
SPECIFICATIONS

	FEED SILO	
	BMH 1000	BMH 3000
TYPE	SG2	SG3
CAPACITY IN LITRES	800	1700
EQUIPMENT	<ul style="list-style-type: none"> - electronic level detector with time delay - flow rate adjustment by suction - magnetic shielding 	

	GRINDING MILL	
TYPE POWER	BC 7.5 kW	BC 15 kW
EQUIPMENT	<ul style="list-style-type: none"> - 2 circular perforated grids Ø6 and 8mm - 8 moving hammers, reversible on 4 surfaces - speed of rotation: 3000 rpm - pipes in galvanised steel - intake Ø100 mm - discharge Ø100 (7.5 kW) or 150 mm (15kW) - cabinet comprising: <ul style="list-style-type: none"> • manual y-delta starter • ammeter for checking current drain • thermal cut-out switch 	

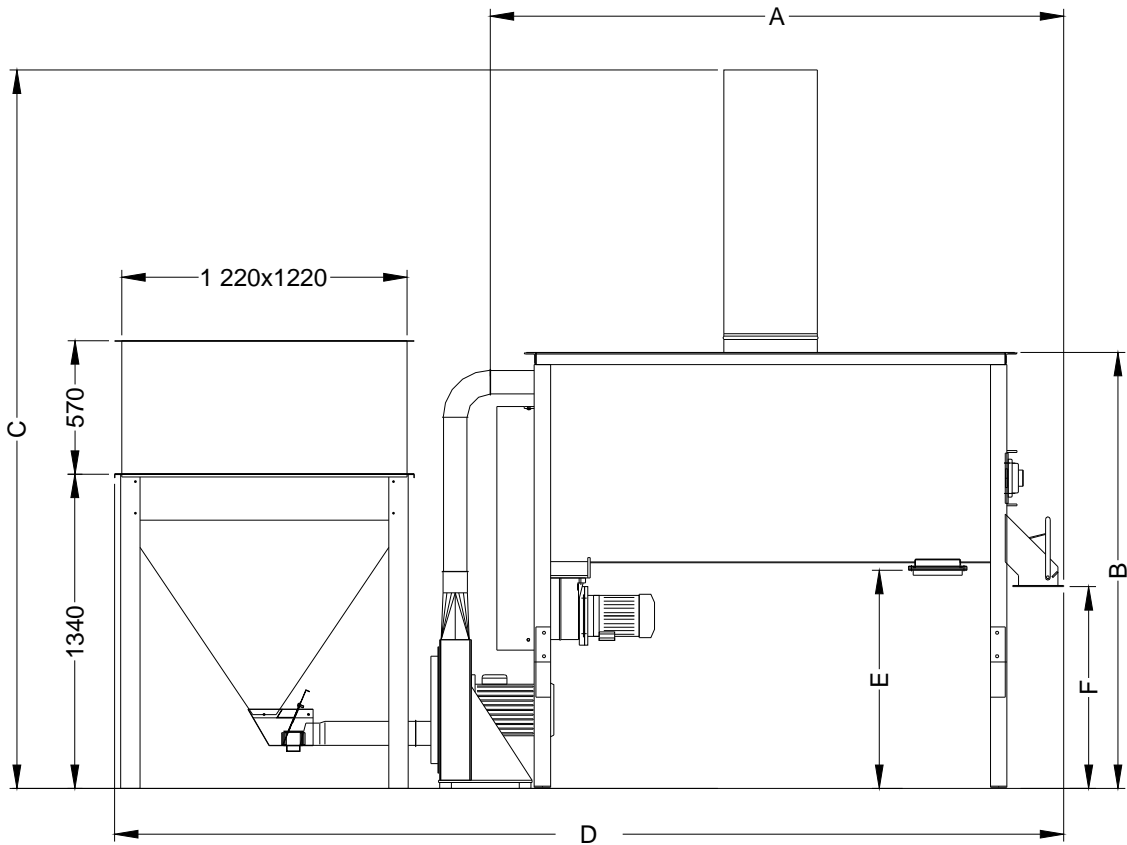
	HORIZONTAL BLENDER	
TYPE	MH 1000	MH 3000
POWER	3 kW	7.5 kW
CAPACITY IN LITRES	1000	2300
EQUIPMENT	<ul style="list-style-type: none"> - 1 air decompression bag - 1 discharge mouth with slide under the tank - 1 thermal circuit breaker 	

ACCESSORIES	<ul style="list-style-type: none"> - Helmet valve for bagging-off at the bottom of the tank - Collection hopper for auger - Mineral auger with conical loading hopper - Inlet Ø125 for auger downfeed onto mixer cover - Oil dosing system - Decompression cyclone separator with rotating flange for fixing on MH - Bag filter
-------------	--



Reverse pitch double spiral blades

OVERALL DIMENSIONS IN mm

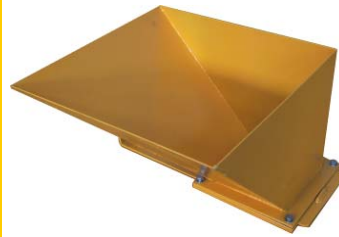


	A	B	C	D	E	F	WEIGHT TOTAL
BMH 1000	2450x800	1860	4000	4060	930	860	750 kg
BMH 3000	3000x1200	2140	4250	4710	840	775	1400 kg

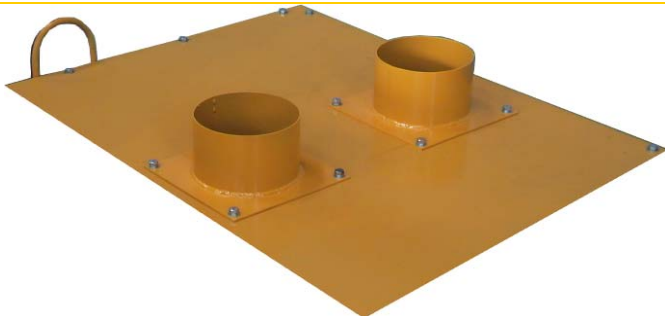
ACCESSORIES



Helmet valve for bagging-off
at the bottom of the tank



Concentrated minerals and additives hopper
on mixer cover with sliding flap



Inlet for auger downfeed



Hopper for collection by auger, under the mixer
and electric actuator controlling the slide flap



Mineral auger
length 3m pour MH 1000 or length 4m for MH
3000

Conical loading hopper 150L
Leaktight connection with translucent flexible pipe
Hopper add-on in stainless steel for full emptying

The technical specifications may be subject to change without notice



47170 POUDENAS - FRANCE

Tel.: +33 (0)5 53 65 73 55

Fax: +33 (0)5 53 97 33 05

e-mail: electra@electra.fr

Internet: www.electra.fr