

INTERIOR BINS

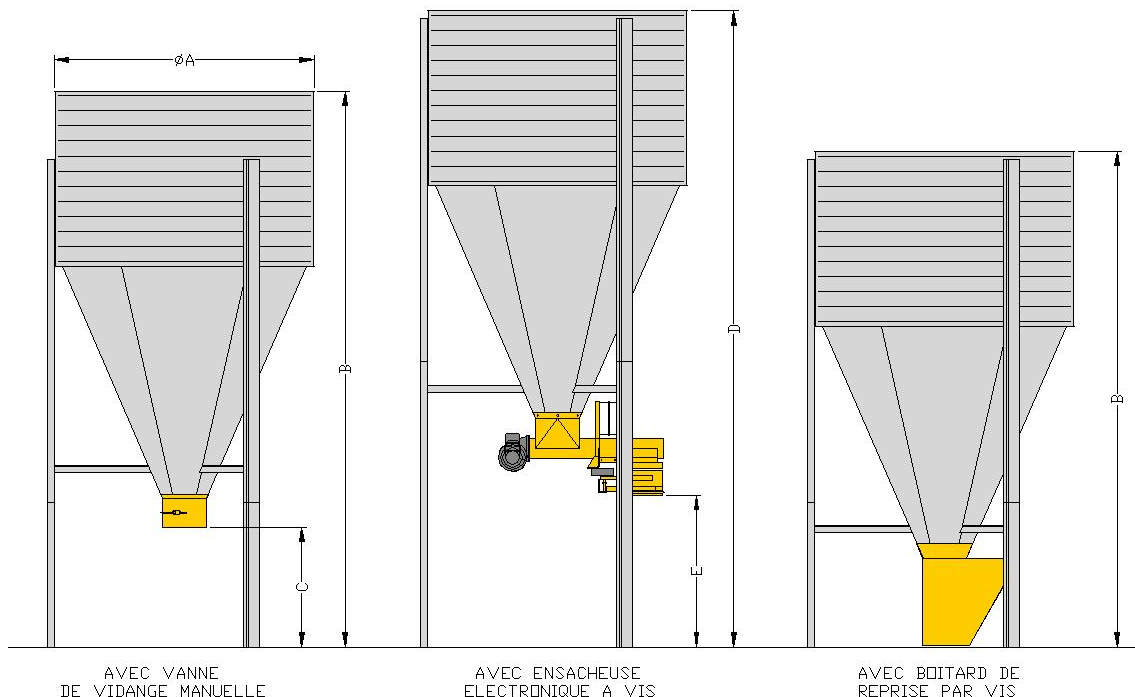
4.7 - 6 - 10 - 17 - 24 - 30 m³



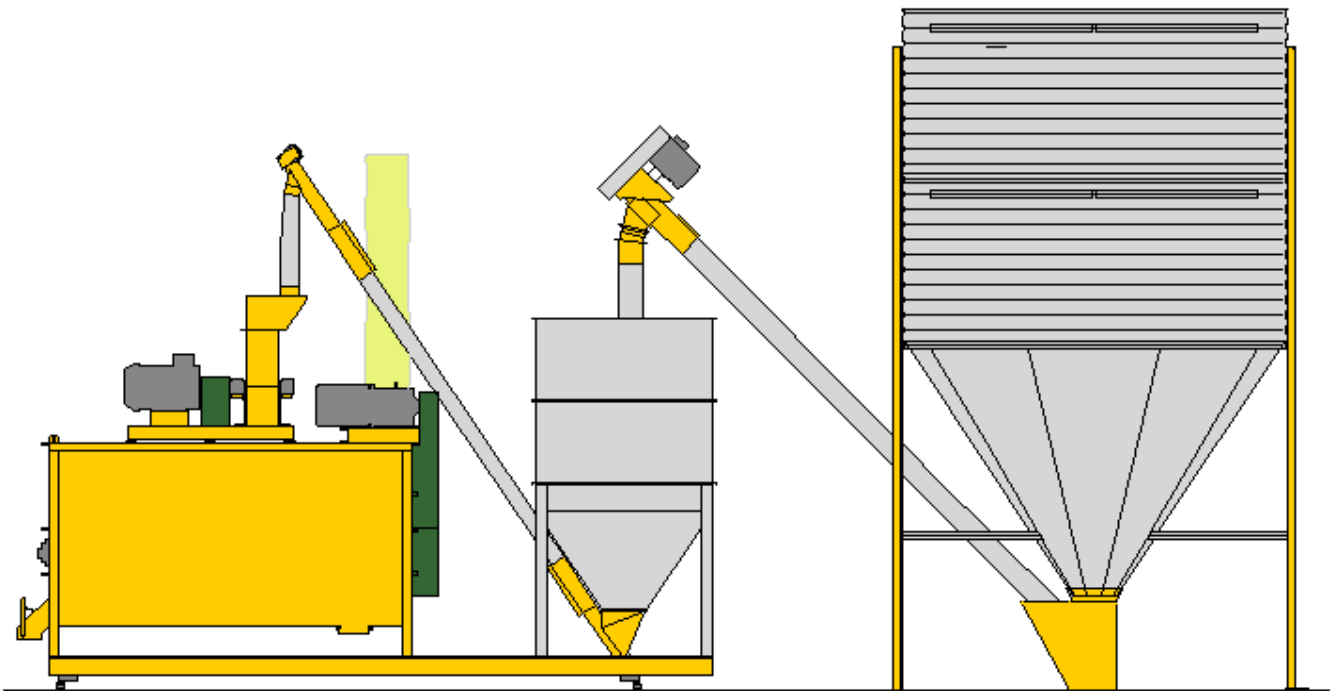
For the storage of:
cereals, meals, pellets, cattle cake, etc.

SPECIFICATIONS

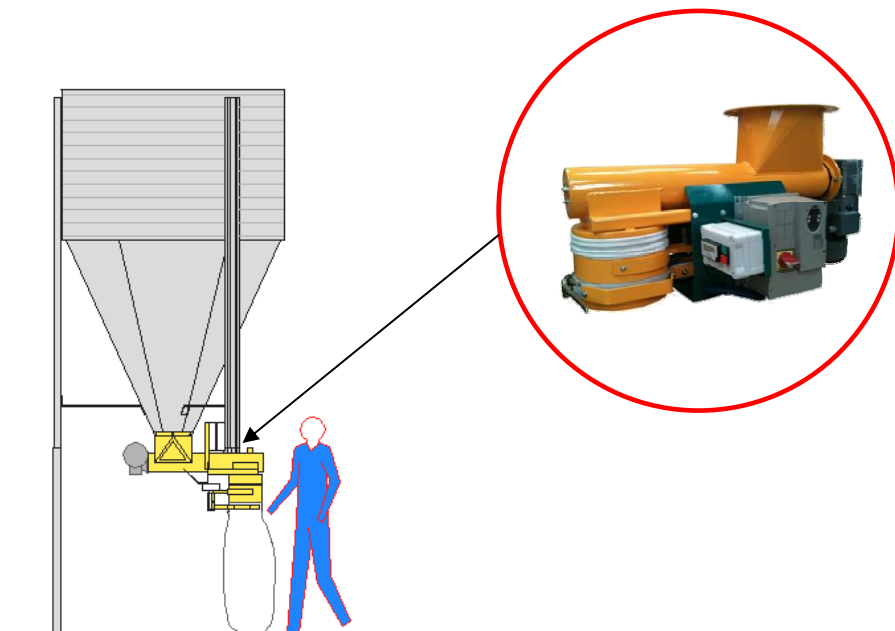
MODELS	4.7 m ³	6 m ³	10 m ³	17 m ³	24 m ³	30 m ³
MAX CAPACITY (in tonnes with feed at d = 0.6)	2.8 tonnes	3.6 tonnes	6 tonnes	10 tonnes	14 tonnes	18 tonnes
CONSTRUCTION	collar, cone, legs and lower struts fully galvanized delivered in kit form with threaded fasteners and installation instructions			legs in normal channel section profile		
EMPTYING	emptying valve manual Ø300 mm			hopper for collection by auger		
OPTIONS	hopper for collection by auger					
	roof tarpaulin with fixing strap					
DIMENSIONS IN mm						
SLOPE OF CONE	65°	65°	55°	55°	55°	55°
ØA	1800	1800	2680	2680	2680	2680
B	3900	4500	3900	4700	5900	7050
C	800	800	800			
D	4400	5000	4400			
E	900	900	900			



EXAMPLES OF USE



STORAGE BIN OF 17 m³ FOR
SUPPLYING AN AUTOMATED FEEDSTUFFS PRODUCTION PLANT



STORAGE BIN WITH ELECTRONIC
BAGGER

**THE BINS ARE NOT INTENDED FOR PNEUMATIC FILLING.
FILLING IS BY GRAVITY AND CARRIED OUT BY AUGER OR LIFTER BALANCING LOAD AT
THE CENTRE OF THE BIN.**

THE SLOPE OF THE CONE ALLOWS FOR AN EASY AND COMPLETE FLOW.



BIN 17 m³

The technical specifications may be subject to change without notice



47170 POUDENAS - FRANCE

Tel.: +33 (0)5 53 65 73 55

Fax: +33 (0)5 53 97 33 05

e-mail: elevage@electra.fr

www.electra.fr