



GRINDING MILL F10 ter "N"



MILLS DRY AND DAMP CEREALS AT VERY HIGH FLOW RATE

SPECIFICATIONS

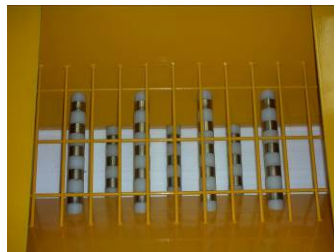
CONSTRUCTION	Frame in weld-fabricated profile with interchangeable wear plates, machined rotor mounted on bearings with SNH baseplates, tilting cap assisted by hydraulic strut for access to the hammers and the grid
COUPLING	3 coupling points
DRIVE	Tractor PTO, input speed 1000 rpm, pulleys and belts with speed step-up belt tensioning system using remote lubrication tensioner bearings under removable protective housings
FEED	By gravity with hopper fitted with a protective grid
COLLECTION OF CRUSHED PRODUCTS	Extraction of grindings by auger Ø320 driven by: hydraulic motor fed by the tractor circuit, flow rate splitter for adjusting the rotation speed and feed and return hoses
SPEED OF ROTATION HAMMERS	3000 rpm
GRIDS	72, arranged on 6 shafts, mobile and reversible on 2 surfaces. Semi-circular with chain tensioning system round holes Ø5 for wheat, Ø10 to 12 for maize at 32-35% or oblong holes 30 x 6 for maize at more than 36%
POWER	200 to 300 HP
ACCESSORIES	<ul style="list-style-type: none"> • Universal Joint with friction torque limiter 220 HP at 1000 rpm - 6 x 1 3/8" splines • Universal Joint with friction torque limiter and freewheel 300 HP at 1000 rpm - 6 x 1 3/4" splines • Magnetic shielding in the feed hopper
SOUND LEVEL	This machine may significantly exceed 80 dB(A)



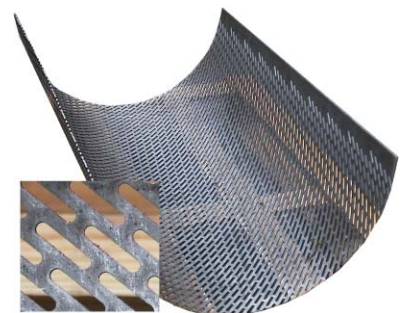
Hydraulic system for opening the grinding mill



View with grinding mill open



Magnetic shielding



Grid with oblong holes

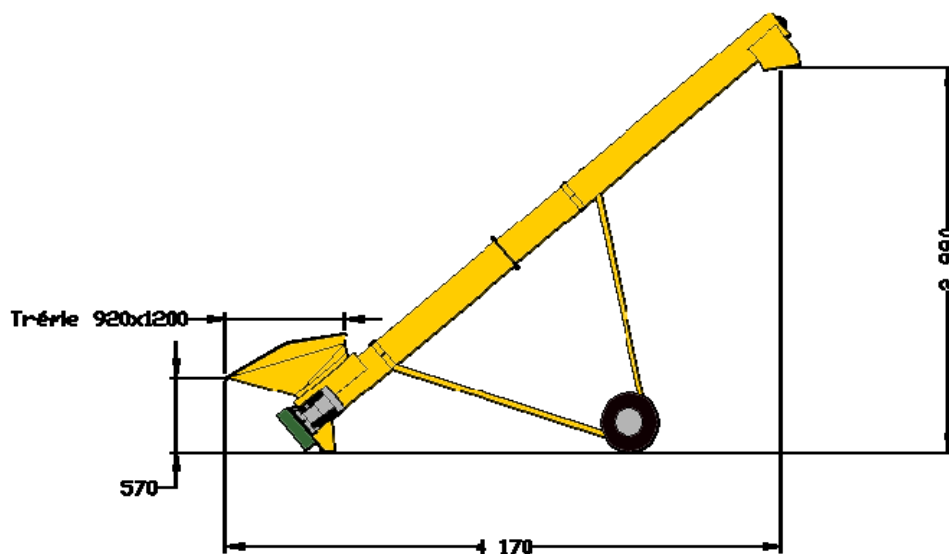
PERFORMANCE

Data for information only depending on the moisture content of the milled products and the grids used

**Maize, damp grain (30 to 40%)
F10 ter N: 30 to 50 tonnes/hour with 200 to 300 HP diesel.**

OPTIONS

- Feed auger, length 5 m, diameter 230 mm, loading hopper with protective grid and flow rate adjustment flap, hydraulic motor drive and flow rate divider, or 4 kW electric motor and thermomagnetic circuit breaker

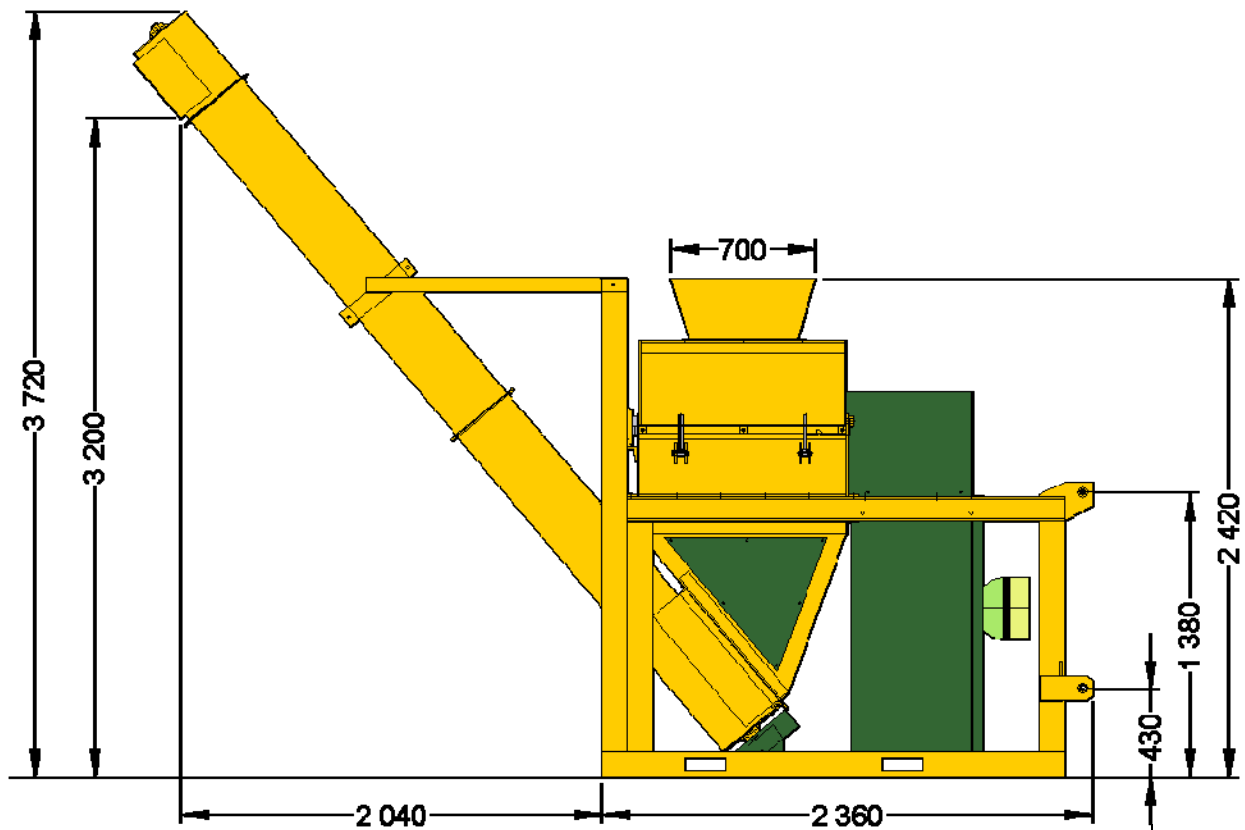


Overall dimensions of feed auger supported on wheels




OVERALL DIMENSIONS

Standard Grinding Mill



The technical specifications may be subject to change without notice

	<p>47170 POUDENAS - FRANCE Tel.: +33 (0)5 53 65 73 55 Fax: +33 (0)5 53 97 33 05 e-mail: electra@electra.fr Internet: www.electra.fr</p>
---	--