



WEIGHING PLATFORM
PE 150



FOR BAGGING DIFFERENT PRODUCTS

DESCRIPTION



PLATFORM

- Galvanised.
- Adjustable support legs and integrated level for ensuring the platform is level
- Dimensions of the weighing surface: 450 mm x 350 mm x h: 120mm

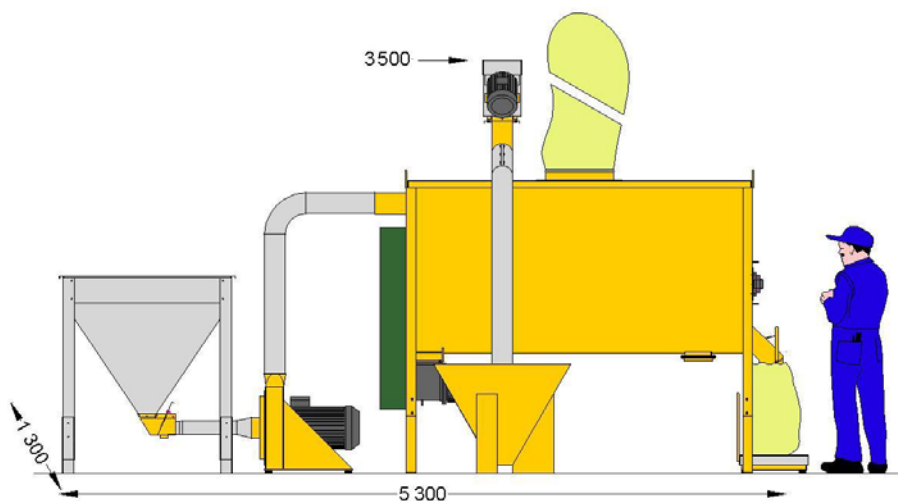


DISPLAY

- Display without threshold programming under plastic housing.
- Mains power lead length 2 m with plug.
- Tare weight
- 220 V single phase power supply
- Internal rechargeable battery
- Range: 0 – 150 kg
- Accuracy 20 grams
- IP 65

NOT RECOMMENDED FOR BUSINESS TRANSACTIONS

EXAMPLE OF USE



47170 POUDENAS - FRANCE

Tel.: +33 (0)5 53 65 73 55

Fax: +33 (0)5 53 97 33 05

e-mail: elevage@electra.fr

Internet: www.electra.fr