

## **BDD DIRECT FLOW GRAVITY CRUSHER**



**Crushes all cereals, both dry and wet**

## SPECIFICATIONS

<b>DIRECT FLOW CRUSHER</b>	
<b>MOTOR</b>	7.5 kW (10 hp) <span style="float: right;">11 kW (15 hp)</span>
<b>CONSTRUCTION</b>	welded steel
<b>WEIGHT</b>	125 kg <span style="float: right;">145 kg</span>
<b>FEED</b>	Central inlet Ø100
<b>ROTATION SPEED</b>	3000 rpm
<b>DRIVE</b>	electric motor
<b>GRIDS</b>	Circular Ø 2.5 to 20 mm - Width 104 mm
<b>HAMMERS</b>	8, mobile, thickness 8 mm <span style="float: right;">16, mobile, thickness 8 mm</span>
<b>EQUIPMENT</b>	anti-vibration mounts
<b>OPTIONS</b>	<ul style="list-style-type: none"> <li>304L stainless steel construction for wet maize</li> <li>plastic electrical cabinet including: disconnect switch, manual y-delta starter, thermal switch, flow control ammeter</li> <li>Frequency converter to adapt the speed of rotation</li> </ul>
<b>SOUND LEVEL</b>	83 dB(A) empty

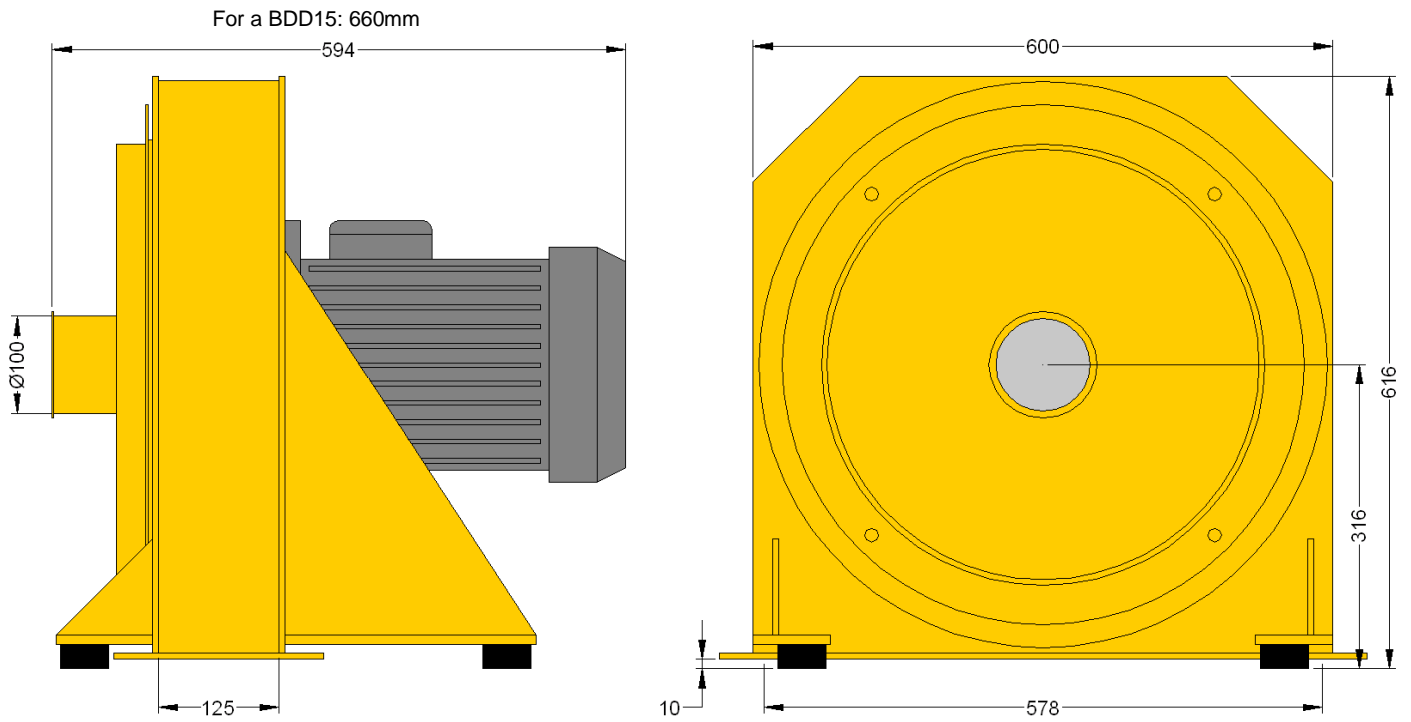
## PERFORMANCES

<b>BDD 10 (7.5kw)</b>					
Product	Barley	Wheat	Maize	Wet maize	
Ø Grid	Ø4			Ø6	Ø8
Flow	0.9 T/h	1.2 T/h	2.25 T/h	0.7 T/h	1T/h

## VIEW OF THE CRUSHING CAGE



## OVERALL DIMENSIONS

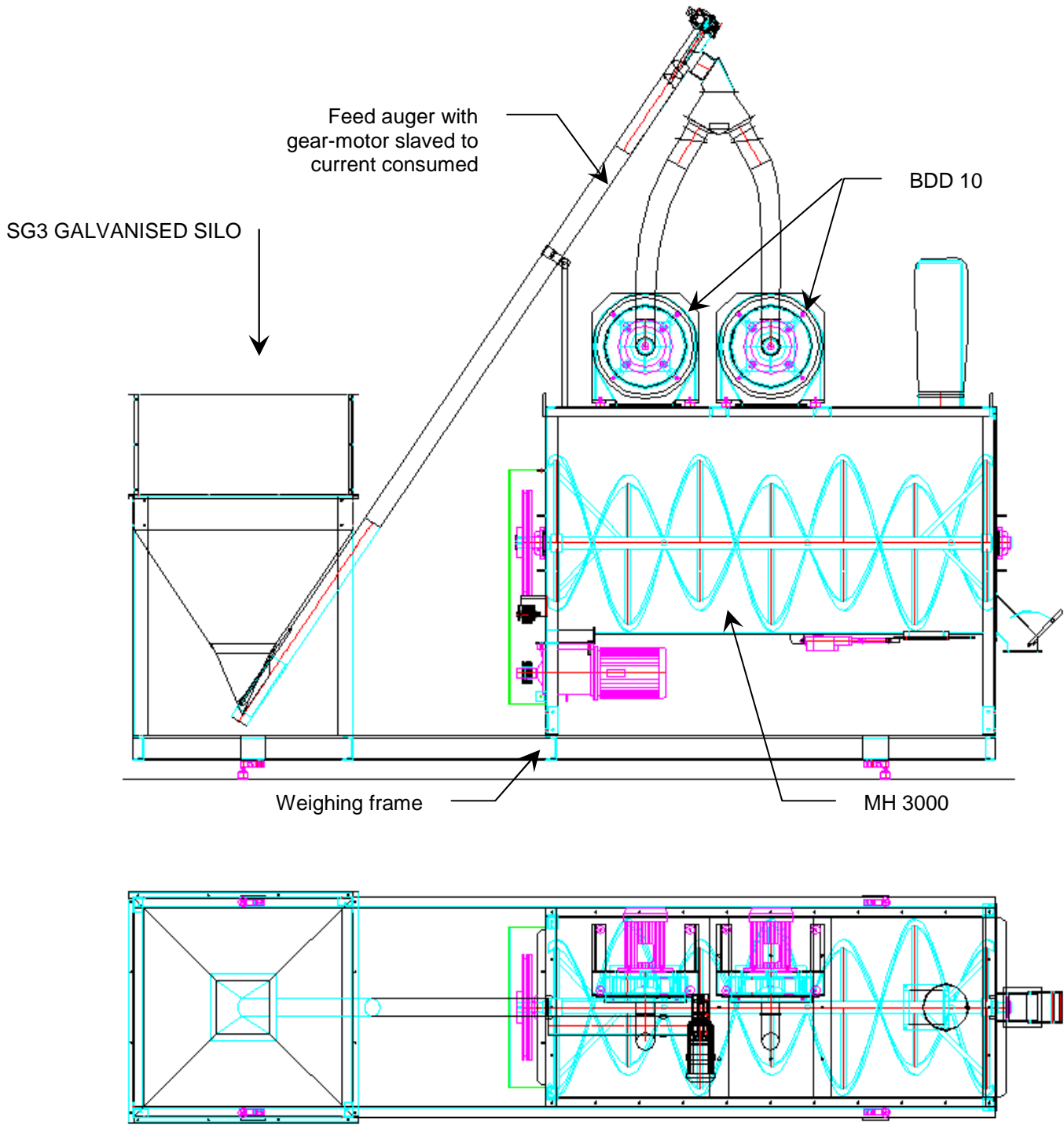


**10 HP (7.5 kW) BBD CRUSHER**

## INSTALLATION

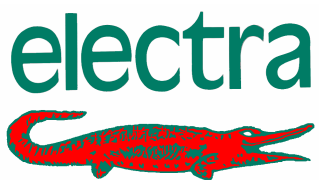


# EXAMPLES OF USE



## Automated plant with horizontal mixer and two direct flow crushers

Technical characteristics may be altered with no prior notice



**47170 POUDENAS - FRANCE**

Tel: +33 (0)5 53 65 73 55

Fax: +33 (0)5 53 97 33 05

[elevage@electra.fr](mailto:elevage@electra.fr) / [www.electra.fr](http://www.electra.fr)