

SLOPED GRINDER MIXER BMI



COMPACT

FOR THE PRODUCTION OF FOOD - BATCHES OF 400 Gr

FOR MIXING GRAINS AND ADDITIVES



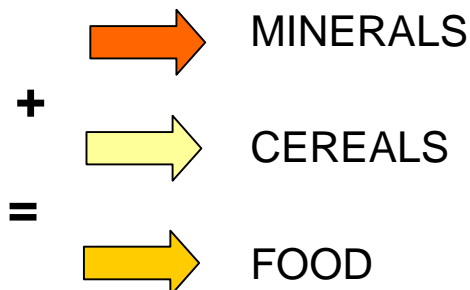
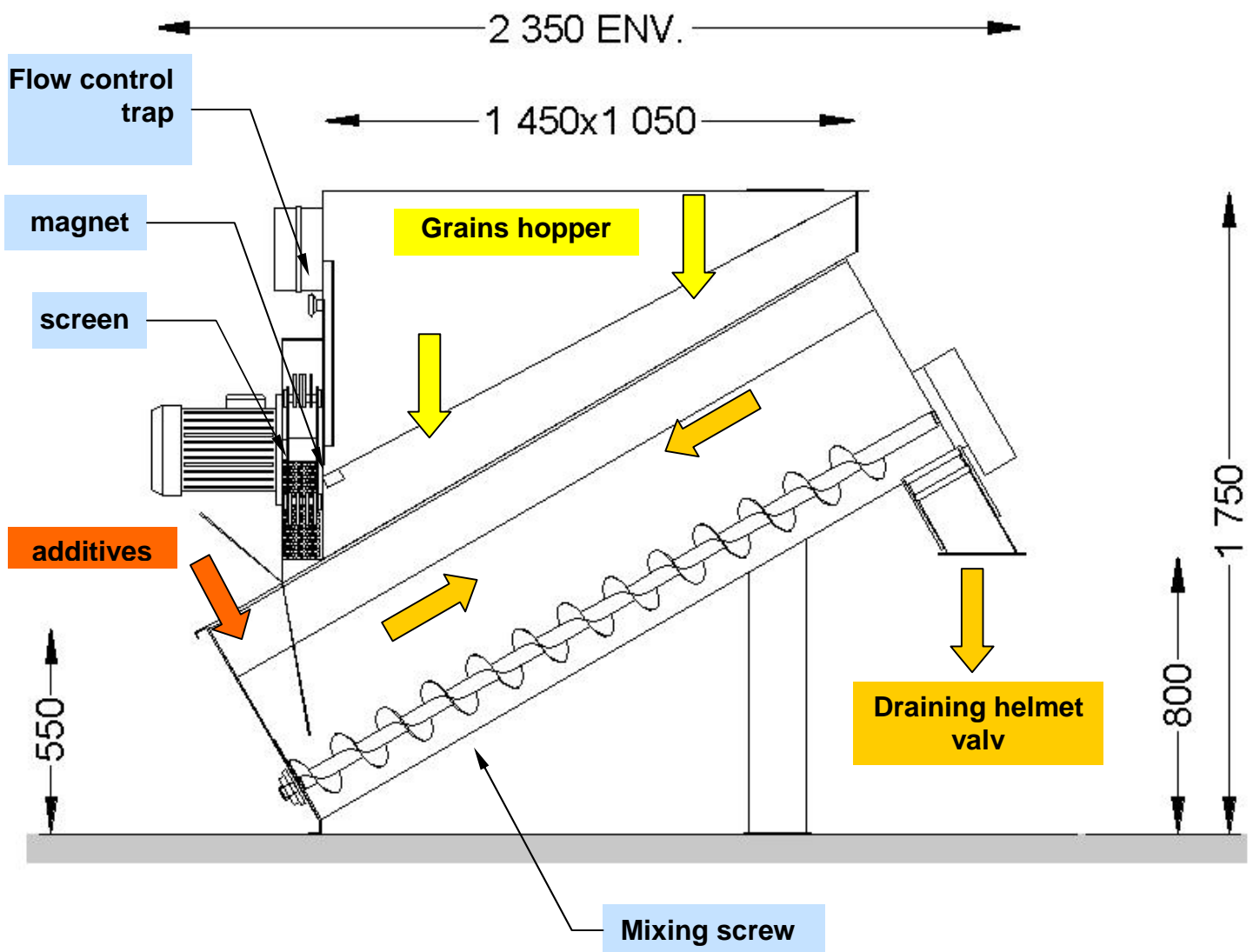
FEEDING GRAINS AND FOOD:

- Feeding hopper : capacity 400 kg (depending on products used),
- Mixer : capacity 400 kg (depending on products used),
- High productivity : up to 1200 kg/h, within 3 grinding-mixing cycles,
- Low noise and tear,
- Grinds and mixes at the same time, automatic shutdown.

DIMENSIONS AND WEIGHT

DIMENSIONS mm	length : 2350 width : 1100 height : 1750
WEIGHT	350 kg

FUNCTIONAL DIAGRAM



FEATURES

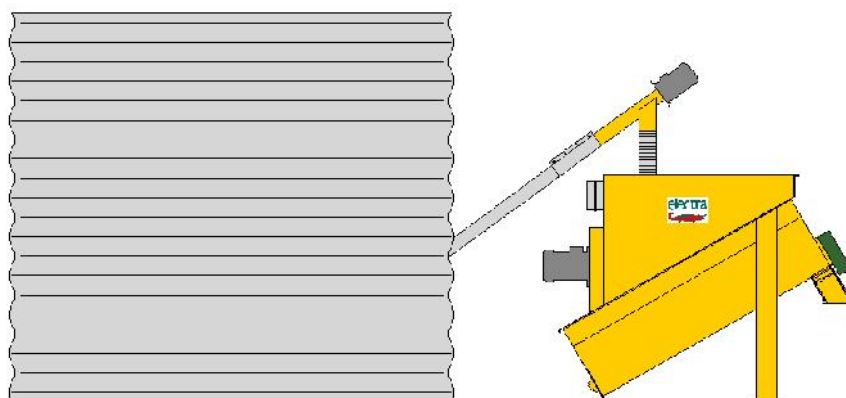
GRAINS HOPPER	<ul style="list-style-type: none"> • capacity : 550 liters • magnetic protection included • flow control trap
GRINDER	<ul style="list-style-type: none"> • power : 7.5 kW (10cv) • rotation speed : 3000 tr/min • hammers : 8 removable, 8 mm thick • screens : semi-circle Ø5, 6 and 8 mm
MIXER	<ul style="list-style-type: none"> • capacity : 800 liters • type : slope 30° • power : 2.2 kW (3 cv) • transmission : 2 notched V- belts <p>accessories :</p> <ul style="list-style-type: none"> • trap for additives, • bagging system (height 800 mm), • decompression windsock.
ELECTRICAL DEVICES	<p>Water resistant case :</p> <ul style="list-style-type: none"> • external switch, • circuit-breaker with thermal relay, • ammeter for milling control, manual and automatic switch on-off, • electronic level detector for automatic shutdown and timer



PRODUCTIVITY

Up to 1200 kg/h within 3 grinding-mixing cycles.

USE EXAMPLE



Technical changes may be operated without a notice



47170 POUDENAS - FRANCE

Tél.: 05 53 65 73 55

Fax: 05 53 97 33 05

e-mail: electra@electra.fr

internet : www.electra.fr