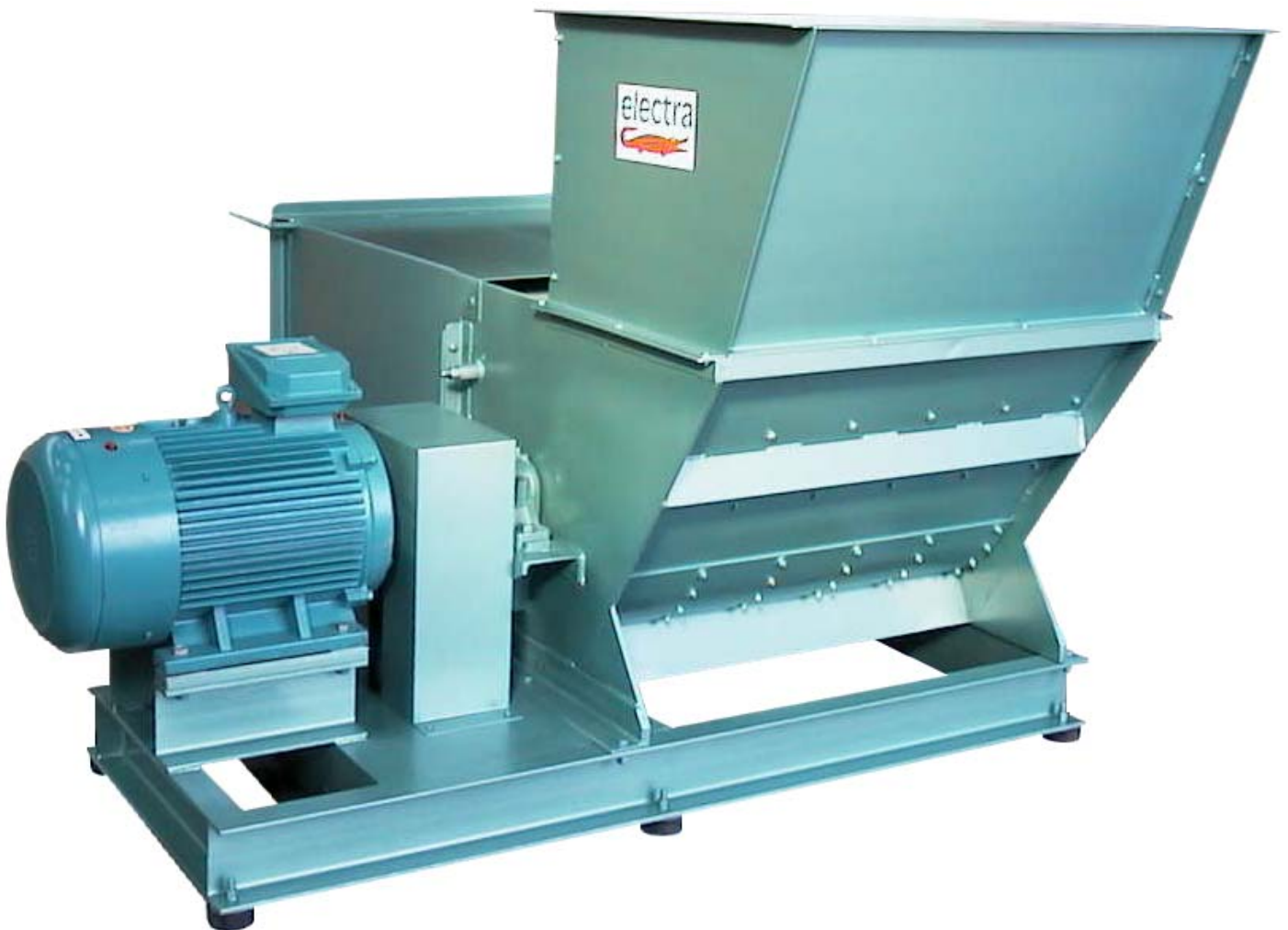




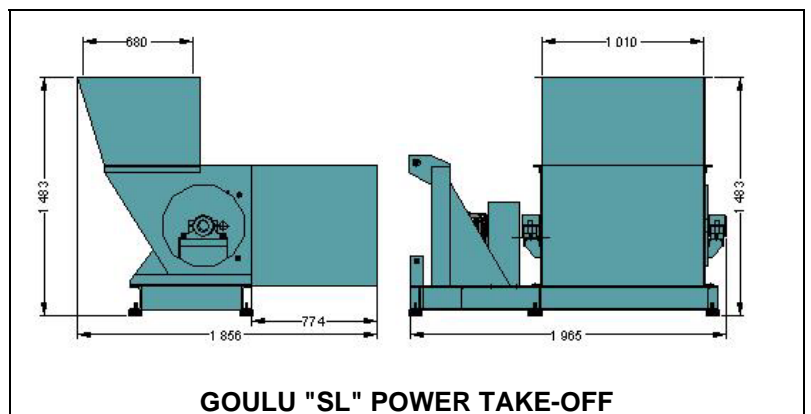
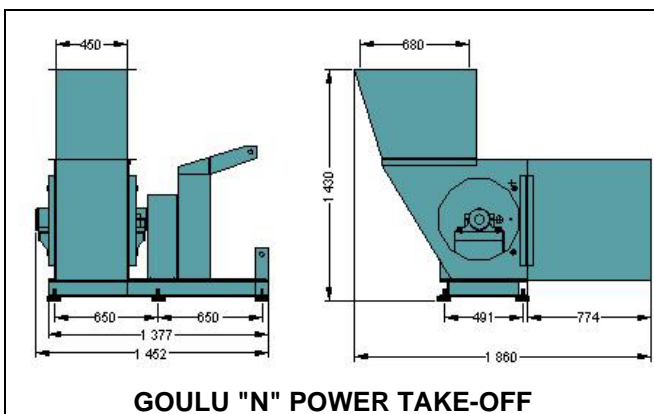
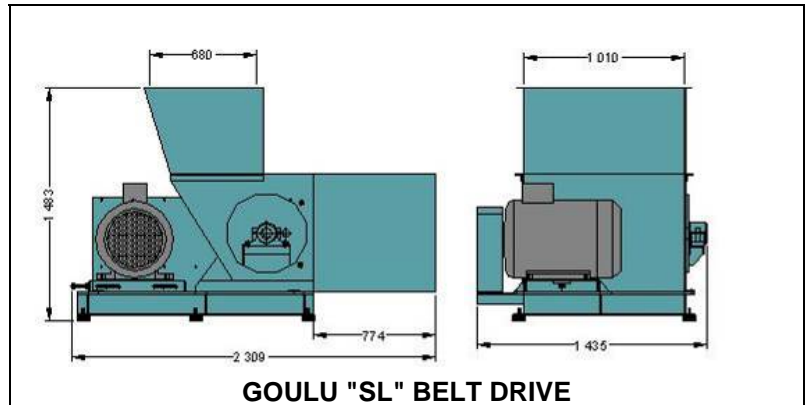
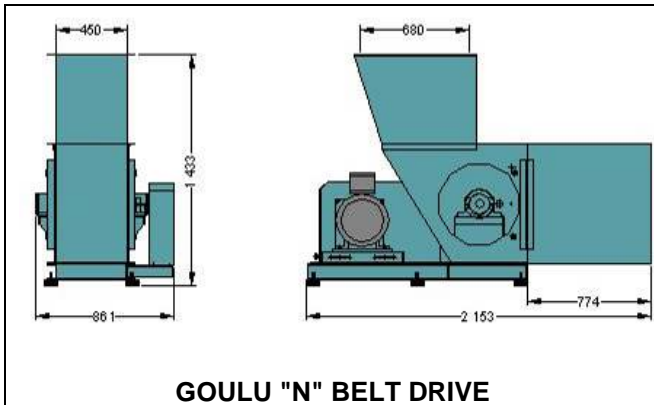
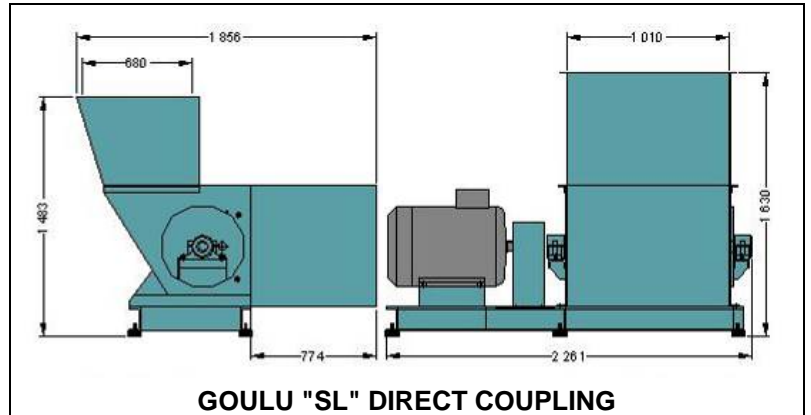
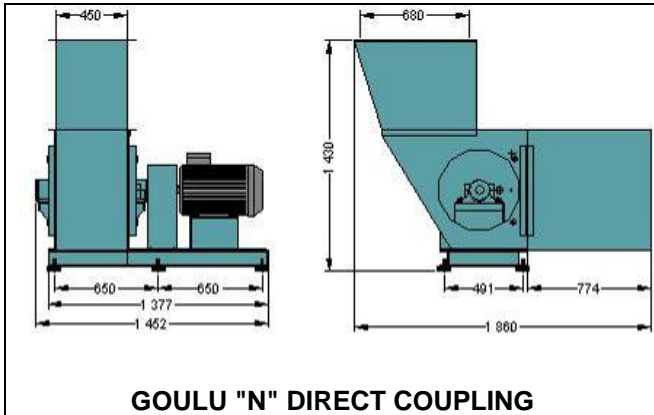
## GRINDING MILL-REFINER GOULU



GRINDING MILL WITH MOVING HAMMERS

For grinding bulk, fibrous and damp products

## OVERALL DIMENSIONS



## LIST OF PRODUCTS PROCESSED

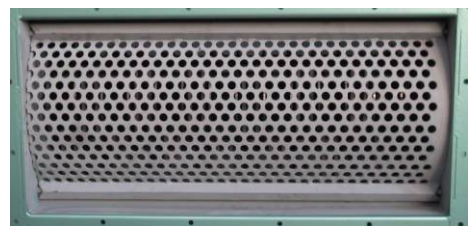
- **AGRIFOOD INDUSTRY** Apples - Fish - Sugar cane, bagasse, Vegetable sorting waste: carrots, haricot beans, cabbage, beetroot, lettuce, fennel stalks, etc.
- **BIOMASS:** Peaty soil, compost, peat - Vegetable composts, composted grape marc - Organic improving agent, composted household waste - Spruce, fir, pine, poplar etc. bark - Bananas, stems.
- **PLASTICS:** PVC bottles, PVC moulds and tubes - Expanded polystyrene, polyurethane foam.
- **BY-PRODUCTS:** Oil house residues - Clay lump - Droppings, hatchery waste - Printing house waste - Machining swarf: aluminium, titanium

# SPECIFICATIONS

	GOULU N	GOULU SL
<b>CONSTRUCTION</b>	Chassis in weld-fabricated profile Body in E24 steel sheet	
<b>WEIGHT</b>	350 kg	1000 kg
<b>FEED</b>	By gravity via a product inlet heightener	
<b>ROTOR</b>	On self-aligning bearings	
	24 moving hammers thickness 10	56 moving hammers thickness 10
<b>SPEED OF ROTATION</b>	From 1500 to 3000 rpm	
<b>TRANSMISSION</b>	Via toothed V-belts and sheaves or direct coupling under housing or by a PTO from a tractor running at 1000 rpm using step-up gear in oil bath	
<b>MOTORISATION</b>	Electrical: 11 to 30 kW	Electrical: 30 to 55 kW
<b>PRODUCT OUTLET</b>	Output hopper for collection by handling system	
<b>GRIDS</b>	Perforated grid Ø 4 to 50 thickness 3 mm Perforated grid Ø20 to 50 thickness 5 mm	
	Width 450 mm	Width 1000 mm
<b>EQUIPMENT</b>	Anti-vibration mounts Interchangeable wear plates	
<b>OPTIONS</b>	<ul style="list-style-type: none"> <li>Bar comb</li> <li>Counter-hammers</li> <li>Branch shredder</li> <li>Anti-bridging filter-vibrator drum</li> <li>Loading hopper for manual feeding with spatter protection system</li> <li>Adjustable deflector flap for ejection by projection</li> <li>Feed and collection belt</li> <li>Universal joint with torque limiter and freewheel</li> </ul>	



**Product inlet heightener**



**Perforated grid**



**With heightener and output hopper as standard**



**Internal view of the rotor**

# OPTIONS



Manual feed hopper



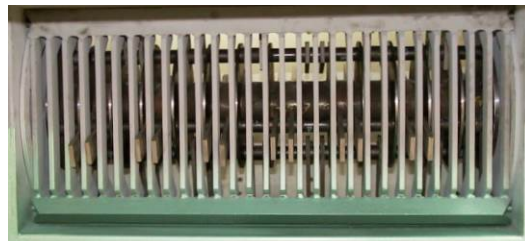
Adjustable output hopper



Goulu "N" with pneumatic collection for dry products



Goulu SL with filter-vibrator drum



Bar comb

# VERSION WITH SHREDDER



Electrical



Tractor PTO

# APPLICATIONS



**GOULU "SL" Transmission**



**GOULU "SL" Direct Coupling**



**GOULU "SL" Power Take-Off**



**GOULU "N" Power Take-Off**

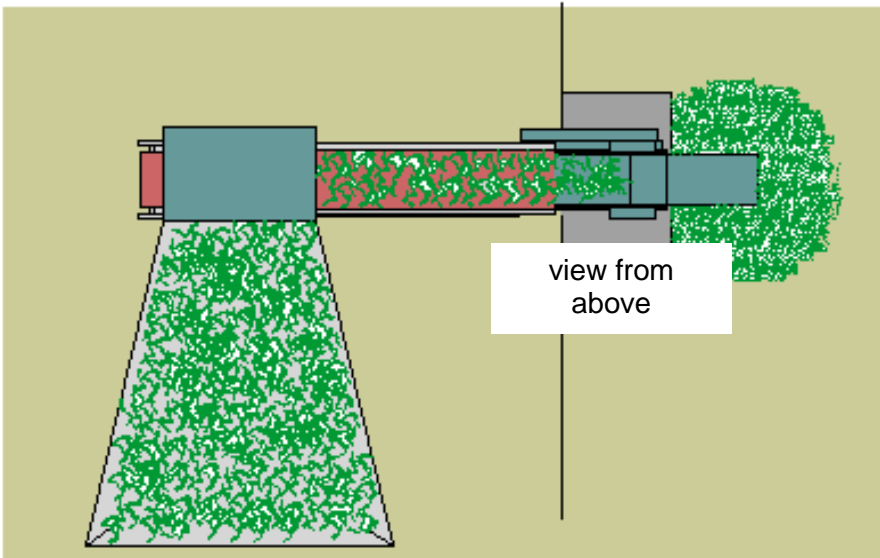
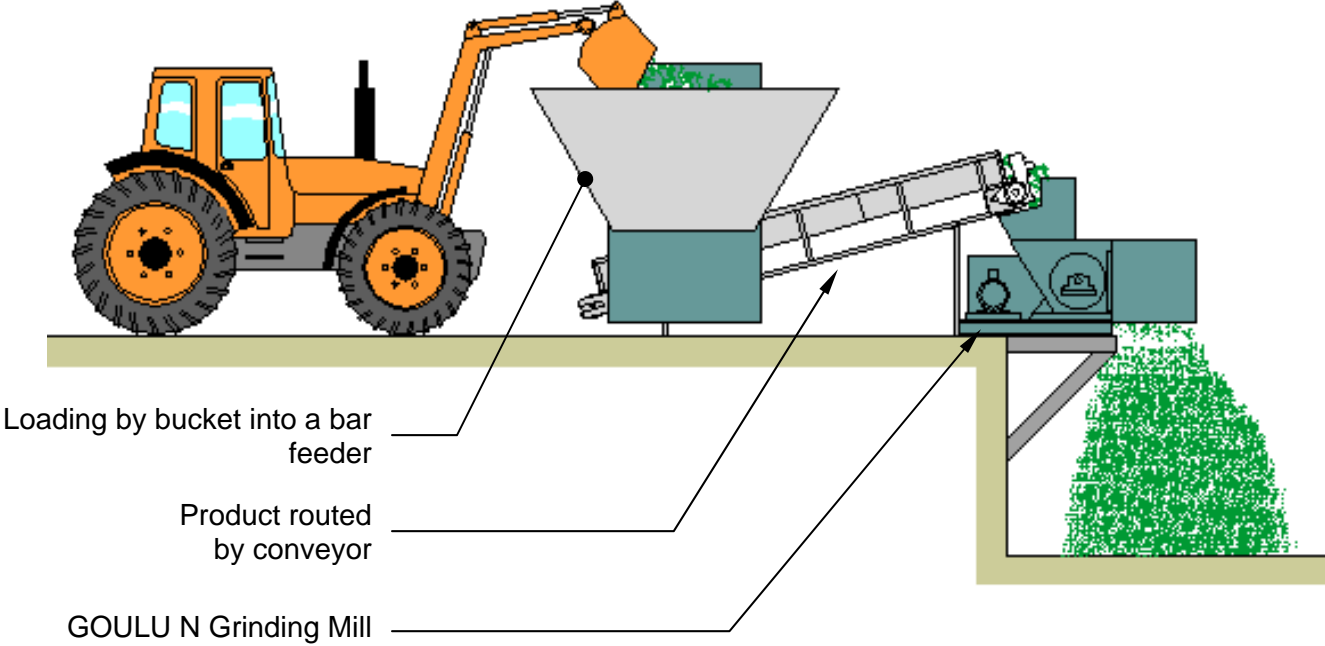


**GOULU "SL" with feed and collection belt**

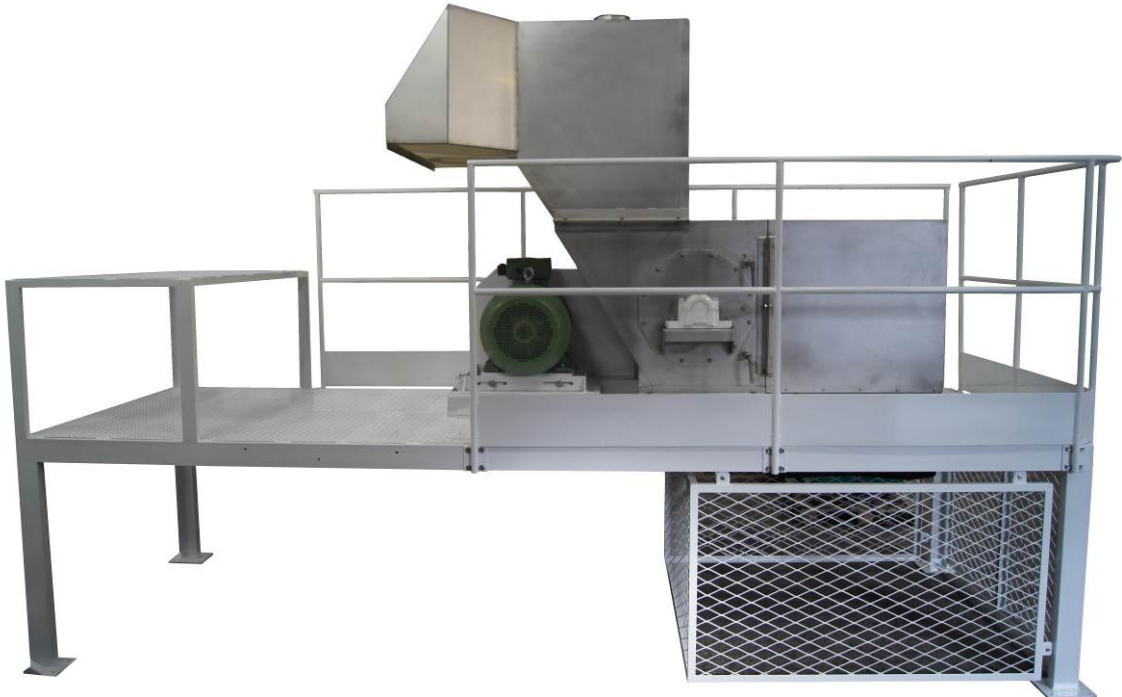


**GOULU "N" stainless steel version**

# EXAMPLES OF USE



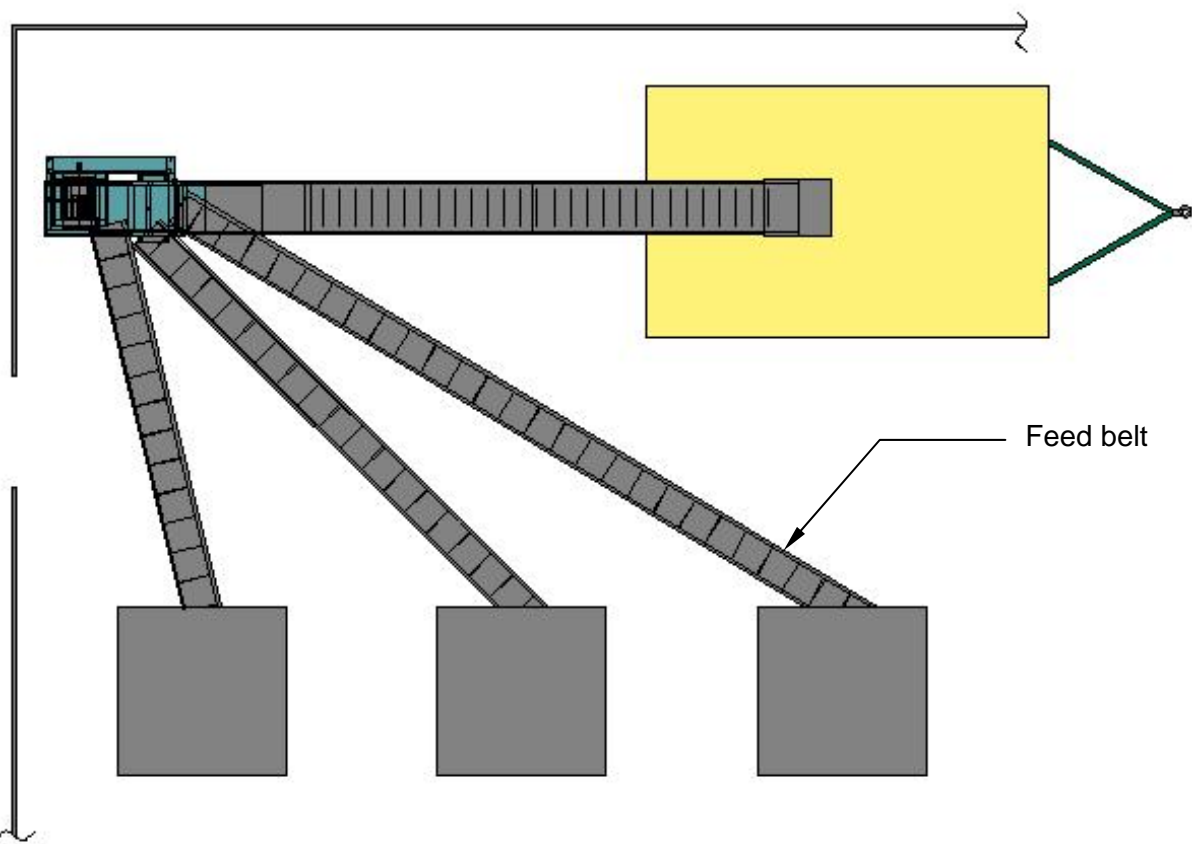
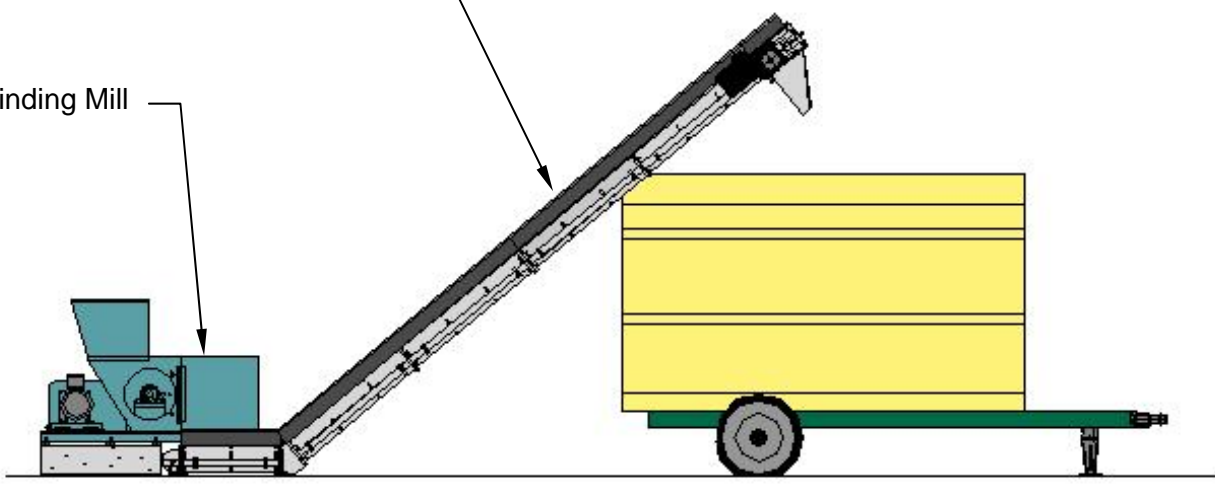
**MILLING UNIT FOR BANANA WASTES AND STEMS**



**MILLING UNIT FOR FISH (UNSOLD FROM AUCTION)**

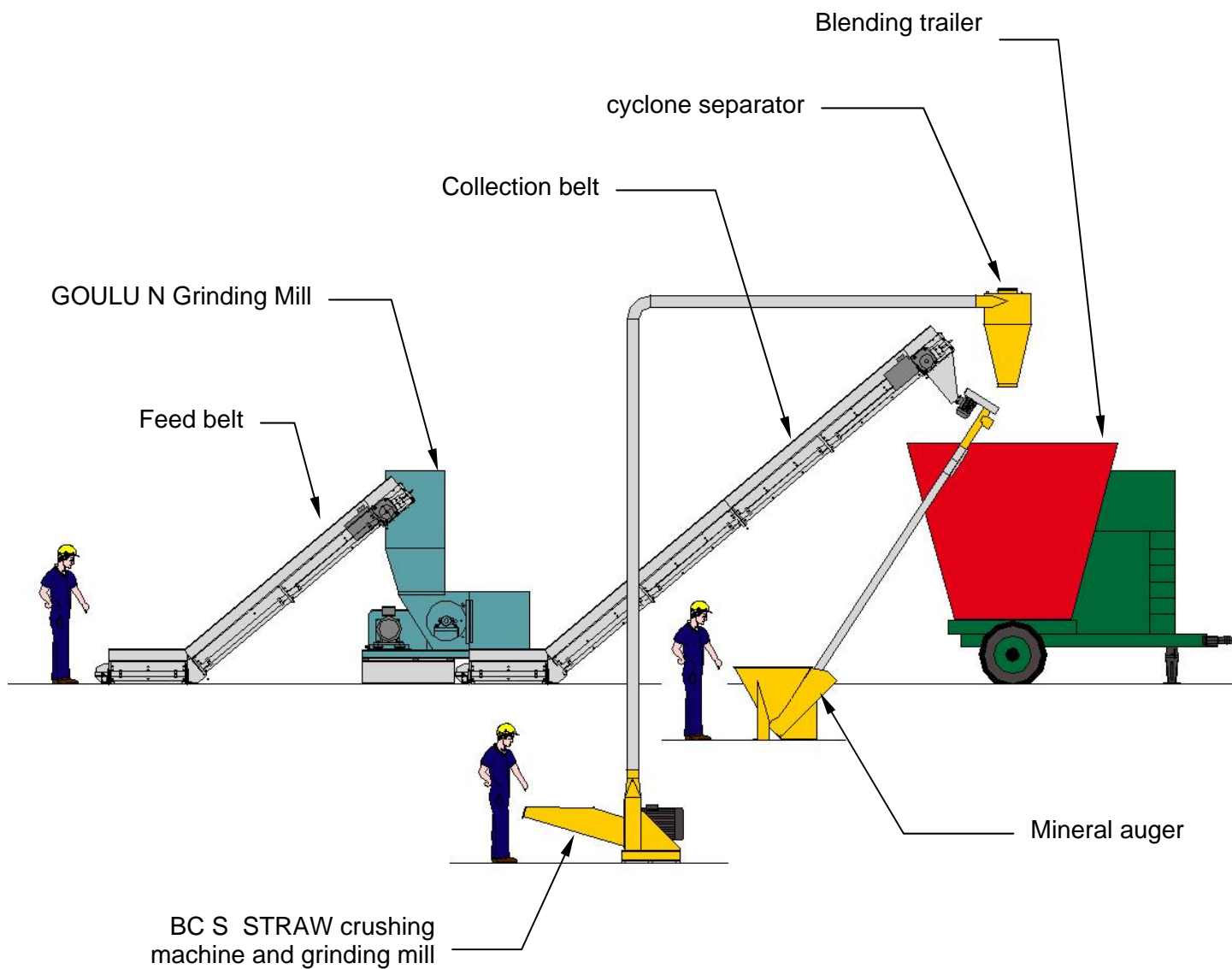
Collection belt

GOULU N Grinding Mill



Feed belt

**MILLING UNIT FOR SUGAR CANE BAGASSE**



**PRODUCES ANIMAL FEEDSTUFFS FROM GREEN WASTES  
WITH INCORPORATION OF STRAW AND CMV**

The technical specifications may be subject to change without notice



**47170 POUDENAS - FRANCE**

Tel.: +33 (0)5 53 65 73 55

Fax: +33 (0)5 53 97 33 05

e-mail: [electra@electra.fr](mailto:electra@electra.fr)

Internet: [www.electra.fr](http://www.electra.fr)