



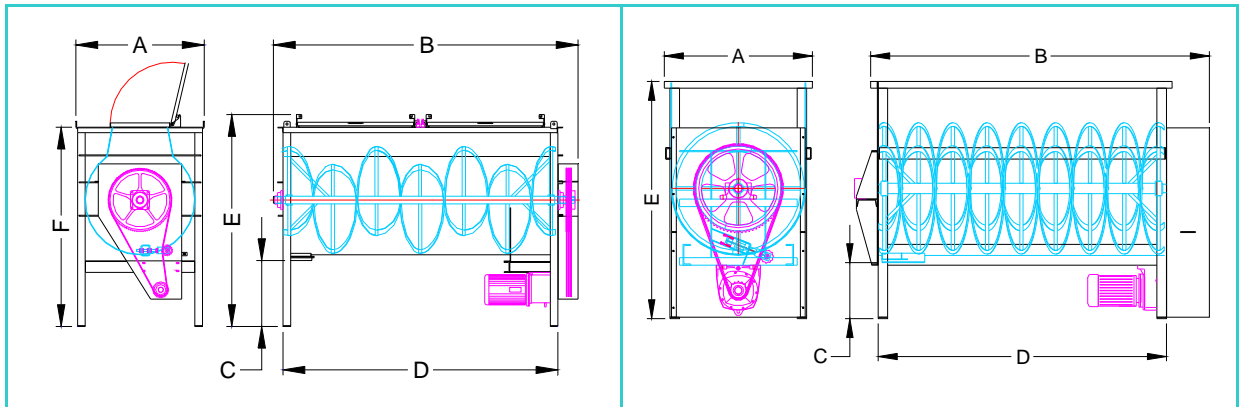
HORIZONTAL BLENDER MH 1000 to 7000 R



MH 7000 "R"

HORIZONTAL BLENDER WITH DOUBLE HOLLOW REVERSE-PITCH SPIRAL BLADES FOR BLENDING POWDERS AND PELLETS

OVERALL DIMENSIONS



		MH 1000 "R"	MH 3000 "R"	MH 5000 "R"	MH 7000 "R"
DIMENSIONS IN mm	A	975	1250	1370	1560
	B	2370	3150	3630	3730
	C	400	500	500	600
	D	2000	2500	3000	3000
	E	1500	1950	2000	2500
MAX LOAD IN kg		800	1500	2000	3000
CAPACITY IN LITRES		800	2000	3800	5000

LIST OF PRODUCTS PROCESSED

AGRI-FOODSTUFFS:

dyes, spices,
soluble chicory and coffee,
flavoured herb teas. salted grilled foods, dry fruits
tomato sauce, frozen vegetables
pastry flours

PLASTICS:

coatings in polystyrene balls,
polymers and rilsan

MISCELLANEOUS:

pigments, detergent,
charcoal powder
rat poisons, slug pellets
powdered mastic

BIOMASS:

peat, composts, dried yew,
organic improving agents.

ANIMAL FEEDS:

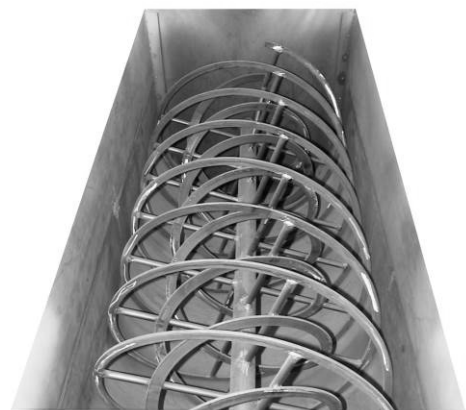
cereals, animal feeds, pet food
vitamin-enriched mineral concentrates
acidifiers, premix

SPECIFICATIONS

	MH 1000 and R	MH 3000 and R	MH 5000 R	MH 7000 R
CONSTRUCTION	- painted or 304L stainless steel (316L available as an option)			
	- tank in Omega rail - hollow reverse pitch spiral blades		- tank in "Trough" - double hollow reverse pitch spiral blades	
	- shaft mounted on self-aligning bearings on baseplate with shaft passage sealed by sealing rings and the injection of compressed air			
EQUIPMENT	- hood fitted with a tilting cover with protective grid and safety detector - electro-pneumatically controlled sliding drain valve under 200 x 200 tank			
TRANSMISSION	By wheel and chain, with tensioner, under housing.			
MOTORISATION	Motor-gearbox unit under the housing			
	- MH1000: 4 kW - MH1000R: 7.5kW	- MH3000: 7.5 kW - MH3000R: 11 kW	MH5000R: 15 kW	MH7000R: 18.5 kW
SPEED OF ROTATION	20 rpm	20 rpm	20 rpm	16 rpm
OPTIONS	- electrical control panel with progressive electronic starter, direction of operation reversing switch, thermal cutout and ammeter. - electronic weighing with PLC or computer management			



**TRIPLE GEARING TRANSMISSION
MH 5000R AND MH 7000R**



**DOUBLE REVERSE
PITCH SPIRAL BLADES**

INSTALLATION EXAMPLES



MH 1000



MH 3000 R



MH 1000 R



MH 5000 R



**MH 7000 R
BUCKET LOADING**

The technical specifications may be subject to change without notice



47170 POUDENAS - FRANCE

Tel.: +33 (0)5 53 65 73 55

Fax: +33 (0)5 53 97 33 05

e-mail: industrie@electra.fr

www.electra.fr