

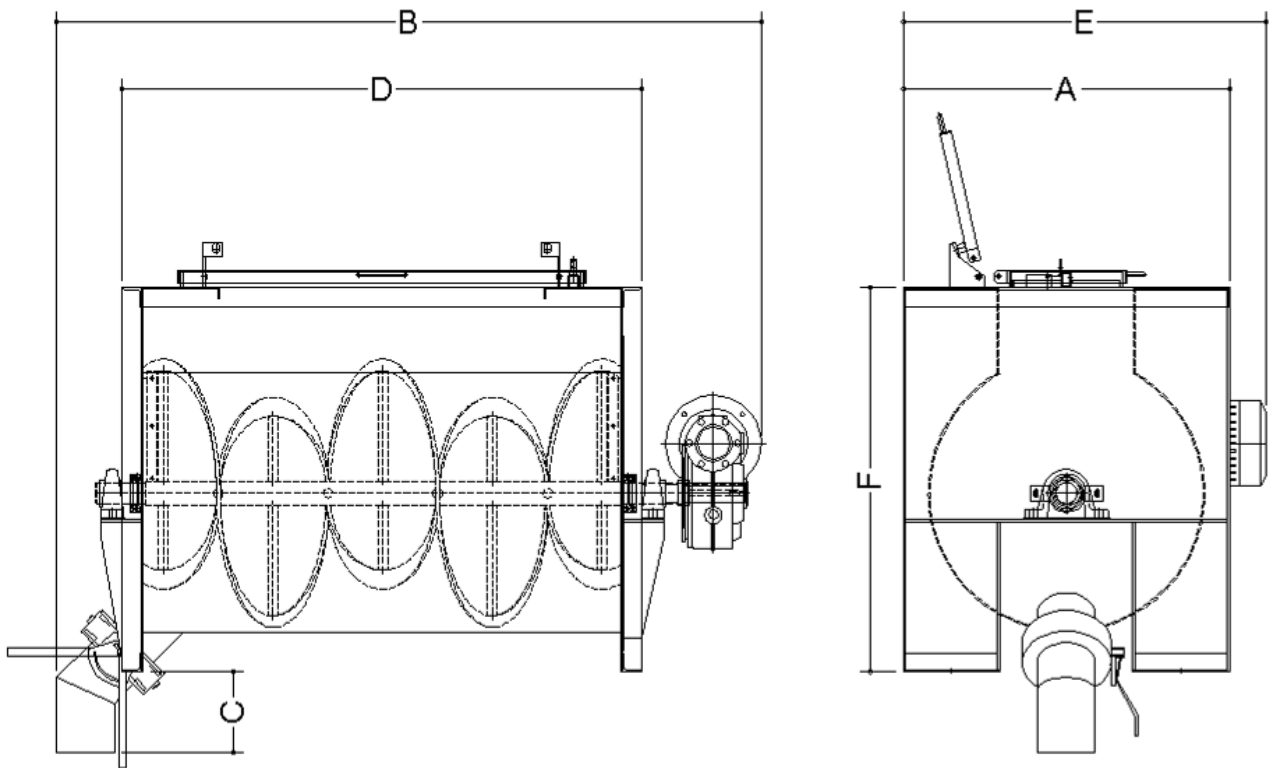
HORIZONTAL BLENDER MH 100 to 700



MH 700

HORIZONTAL BLENDER WITH REVERSE-PITCHED DOUBLE HOLLOW
SPIRAL BLADES

OVERALL DIMENSIONS



		MH 100	MH 400	MH 700
DIMENSIONS IN mm	A	520	620	850
	B	900	1530	1840
	C	115	235	210
	D	660	1100	1355
	E	630	700	950
	F	600	800	1000
MAX LOAD IN kg		50	150	350
CAPACITY IN LITRES		80	250	500

SPECIFICATIONS

	MH 100	MH 400	MH 700
CONSTRUCTION	<ul style="list-style-type: none"> - tank in Omega rail, removable front door - painted or stainless (304L or 316L) steel, passivated and sanded finish - reverse pitch double hollow spiral blades - shaft mounted on self-aligning bearings with shaft passage sealed by sealing rings and the injection of compressed air 		
EQUIPMENT	<ul style="list-style-type: none"> - scraper or brush on the outside spiral to clean the inside of the tank - hood fitted with a tilting cover with protective grid and safety detector. - drain at the bottom of the tank by a manually-operated butterfly valve Ø150 		
TRANSMISSION	Motor-gearbox with hollow shaft		
MOTORISATION	1.5 kW	2.2 kW	4 kW
SPEED OF ROTATION	50 rpm	50 rpm	30 rpm
OPTIONS	<ul style="list-style-type: none"> - electrical control panel with starter, direction of operation reversing switch, thermal cutout and isolating switch - frequency converter for speed variation - electronic weighing with PLC or computer management - supporting frame in hollow profile - handling casters 		

LIST OF PRODUCTS PROCESSED

AGRI-FOODSTUFFS:	MISCELLANEOUS:	ANIMAL FEEDS:
dyes, spices, soluble chicory and coffee, flavoured herb teas, salted grilled foods, dry fruits tomato sauce, frozen vegetables pastry flours, flavoured salts	Powdered mastic, pigments, etc.	preparation of animal feeds, pet food manufacture of mineral compounds acidifiers, premixes, rat poisons milk powder

VIEW OF ROTOR



INSTALLATION EXAMPLES



MH 400
316L STAINLESS STEEL



MH 400
PAINTED STEEL



MH 700
316L STAINLESS STEEL



MH 700
304L STAINLESS STEEL

The technical specifications may be subject to change without notice



47170 POUDENAS - FRANCE

Tel.: +33 (0)5 53 65 73 55

Fax: +33 (0)5 53 97 33 05

e-mail: industrie@electra.fr

Internet: www.electra.fr