



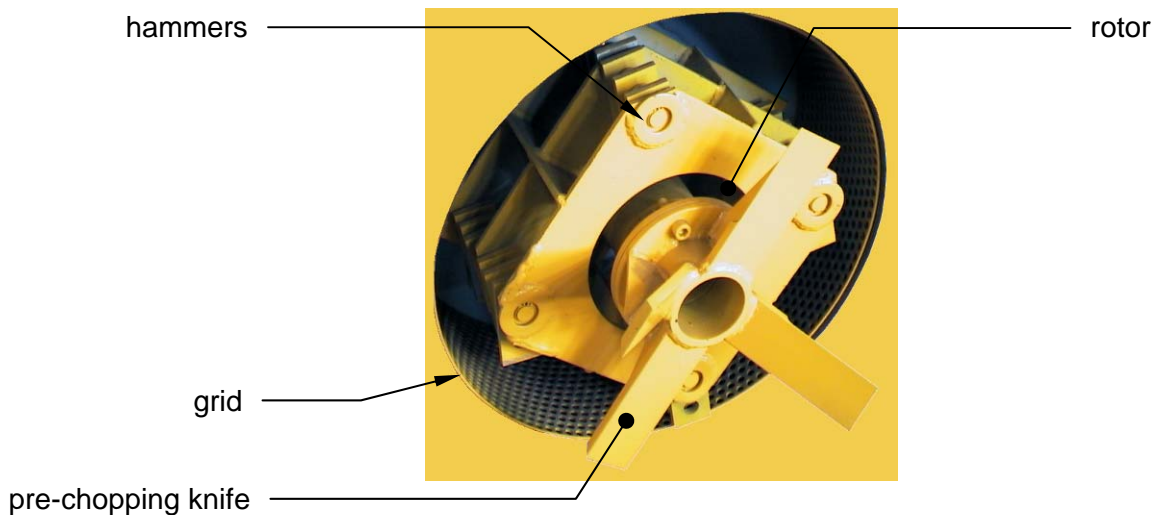
CRUSHING MILL BC "S" PAILLE



CRUSHES: straw and dry fodder, in average density bundles and round or rectangular bails

SPECIFICATIONS

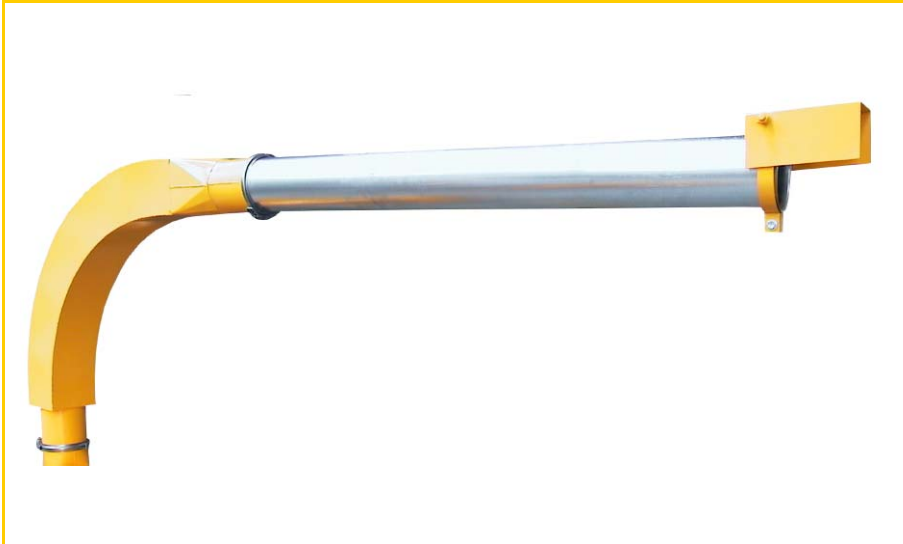
	ELECTRICAL VERSION	PTO VERSION
CONSTRUCTION	weld-fabricated steel	
DIMENSIONS LxWxH	2500x920x1250 mm	2250x920x940 mm
COUPLING	Carried on 3 coupling points	
DRIVE	electric motor 22 kW (30 HP)	<ul style="list-style-type: none"> tractor PTO 1000 rpm with step up gearing in oil bath shaft line on bearings with coupling
SPEED OF ROTATION	3000 rpm	
POWER CONSUMPTION		50 to 120 HP
HAMMERS	24 moving, thickness 8 mm	
GRIDS	circular holes Ø7 to 50 mm standard – thickness 3 mm	
EQUIPMENT	<ul style="list-style-type: none"> pre-chopping system with knives (see photo), anti-vibration mounts (on electric version) 	
WEIGHT	410 kg with 22 kW motor	260 kg
FEED	chute with anti-rejection flap	
OPTIONS	<ul style="list-style-type: none"> electrical unit galvanised 2.3D Ø150 mm with collar chopper tip cyclone separator universal joint with friction torque limiter size 106 (PTO version) 	
SOUND LEVEL	This equipment may significantly exceed 85 dB(A)	



PERFORMANCE

Up to 300 average density bundles/hour or 10 rectangular bails/hour.

DISCHARGE ACCESSORIES

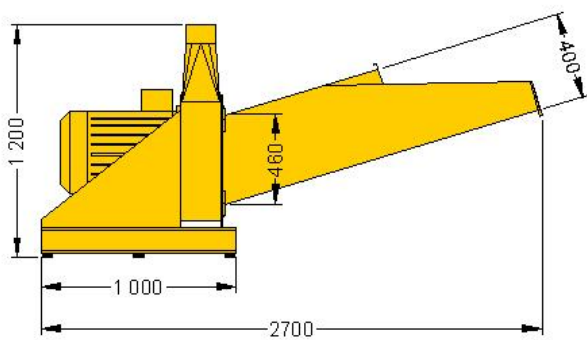


elbow 2.3D with deflector spout

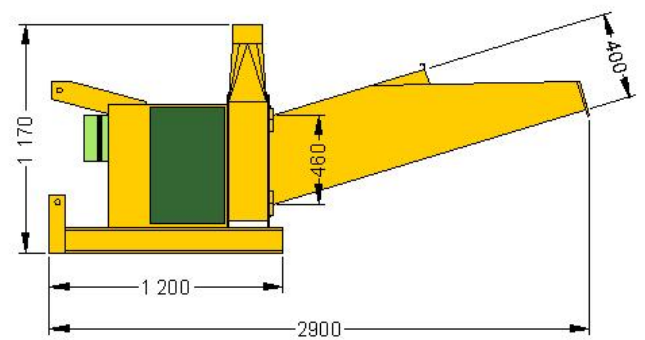


cyclone separator

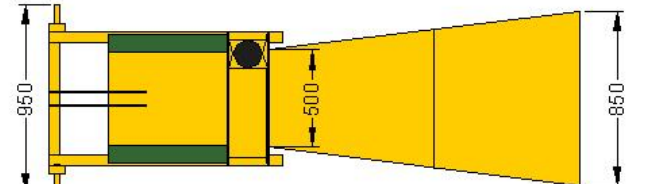
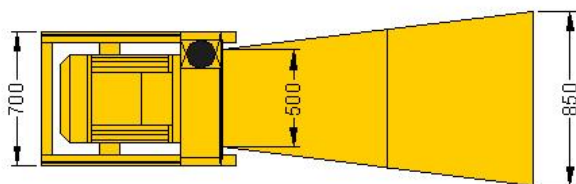
DIMENSIONS



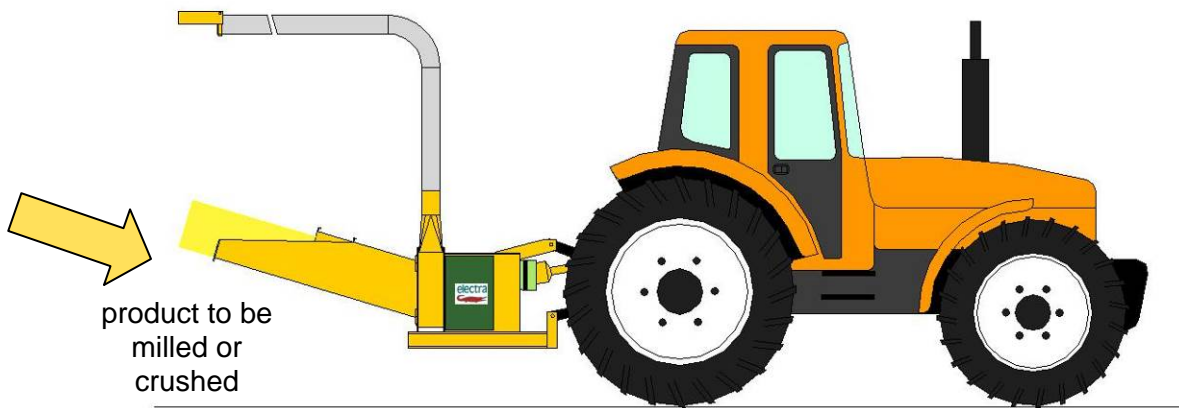
BC "S" paille electric version



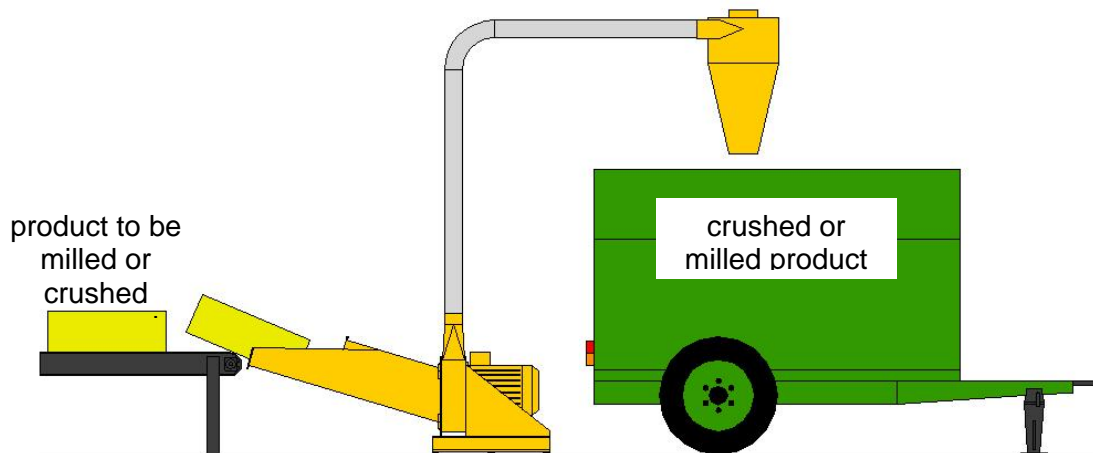
BC "S" paille PTO version



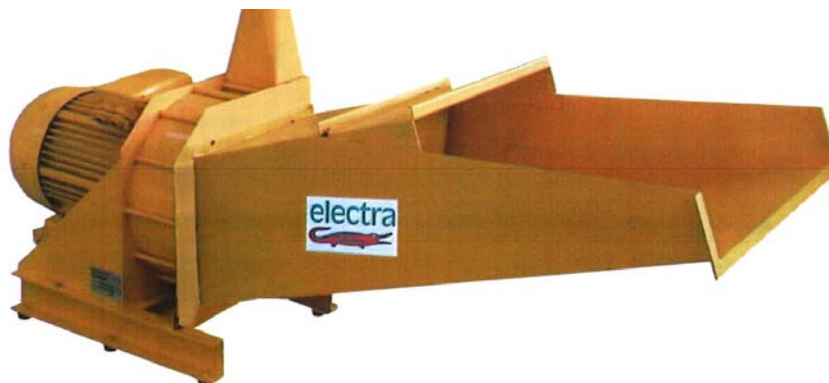
EXAMPLES OF USE



PTO VERSION



ELECTRICAL VERSION



The technical specifications may be subject to change without notice



47170 POUDENAS - FRANCE

Tel.: +33 (0)5 53 65 73 55

Fax: +33 (0)5 53 97 33 05

e-mail: elevage@electra.fr

Internet: www.electra.fr