

ELECTRONIC WEIGHING FOR FEED PRODUCTION PLANTS VERSION II



FOR DOSING DIFFERENT PRODUCTS.

WEIGHING SENSORS

Mounted on articulated supports and placed under the raw materials receiving hopper, under a mixer or under a common support frame. Connected to the digital display via a junction box.

3 sensors provided with:

- 5 m cable per sensor
- 1 junction box
- 1 cable connecting to the display of length 10 m



FUNCTIONS

VERSION II

Tare, reset, total recall
Weight display without programming

1 indicator in plastic box, 2 m mains lead + plug

VERSION II PROG

Ditto version II

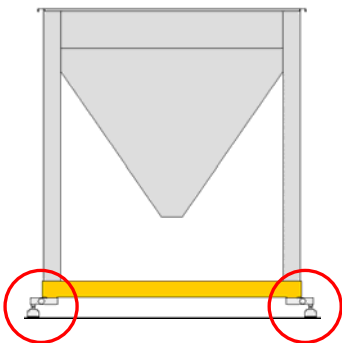
with additional functions:

Programming for memorising 4 products
without automatic threshold switching

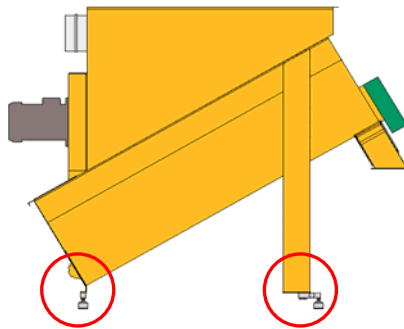
Additional equipment:

- 1 plastic box comprising:
- 1 isolating switch
- 4 switches and thermal cut-out
- terminal block

EXAMPLES OF USE



SG2 bin silo on 4 sensors



angled grinding mill mixer
on 3 sensors



feed production plant mounted
on weighing frame



47170 POUDENAS - FRANCE

Tel.: +33 (0)5 53 65 73 55

Fax: +33 (0)5 53 97 33 05

e-mail: elevage@electra.fr

Internet: www.electra.fr